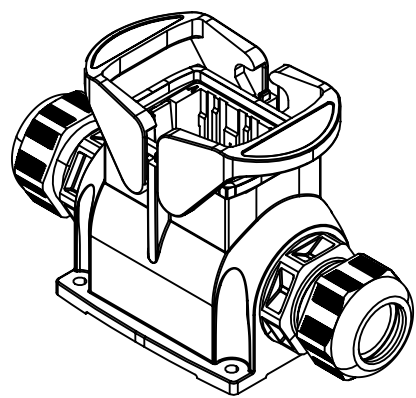
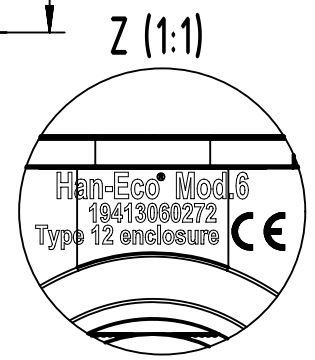
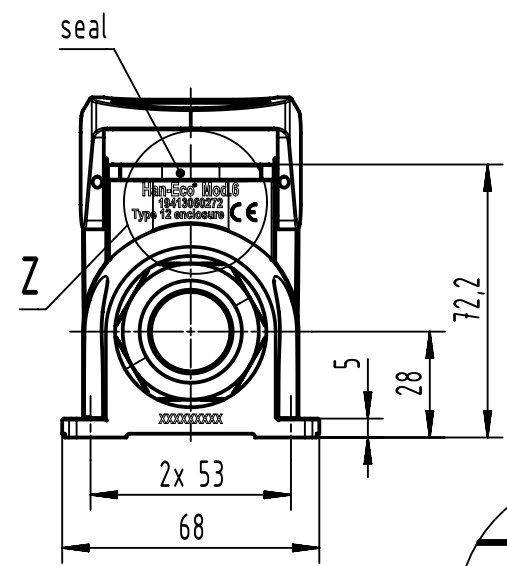
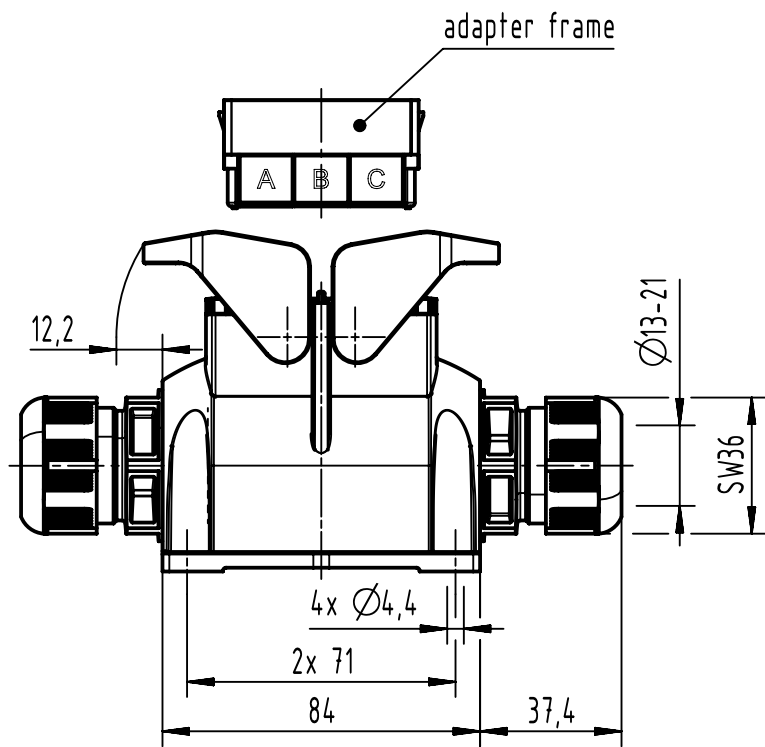


A

B

C

D



adapter frame and cable glands are enclosed

	All Dimensions in mm Original Size DIN A4		Scale 1:2	Free size tol.		Ref.
						Sub.
	All rights reserved		Created by BALSAN	Inspected by 402602	Standardisation 302077	Date 2021-03-05
	Department EL PD					State Final Release
HARTING			Title Han-Eco Mod.6 Outd.-HSM2-M32-glanded			Doc-Key / ECM-Nr. 100222554 / UGD/006/G 500000190646
D-32339 Espelkamp			Type TB	Number 19 41 306 0272		Rev. G
						Page 1/1