

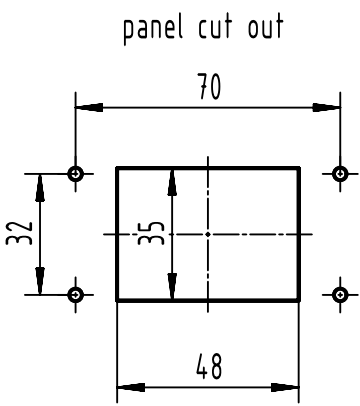
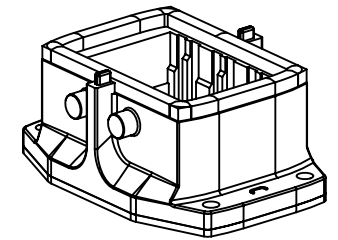
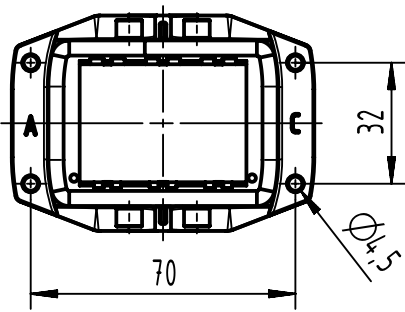
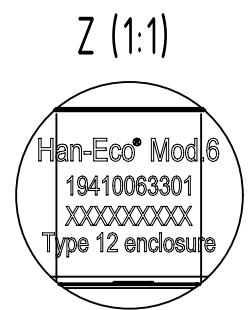
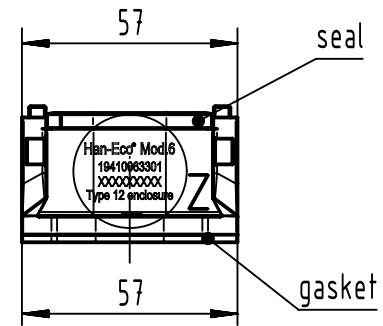
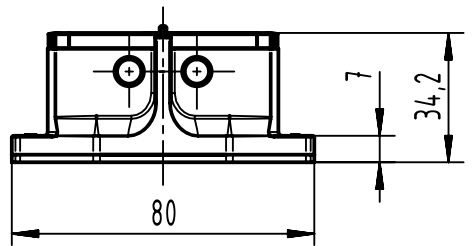
1 2 3 4 5 6

A

B

C

D



	All rights reserved Department EL PD	All Dimensions in mm Original Size DIN A4		Scale 1:2	Free size tol.	Ref. Sub. 19 41 006 0301 v.14.02.12	
		Created by HELLMANN	Inspected by RIEPE	Standardisation 302077	Date 2020-12-11	State Final Release	
HARTING D-32339 Espelkamp		Title Han-Eco Mod.6-HBM-w/o DL				Doc-Key / ECM-Nr. 100930499/UGD/009/A 500000185530	
		Type TB	Number 19 41 006 3301			Rev. A	Page 1/1