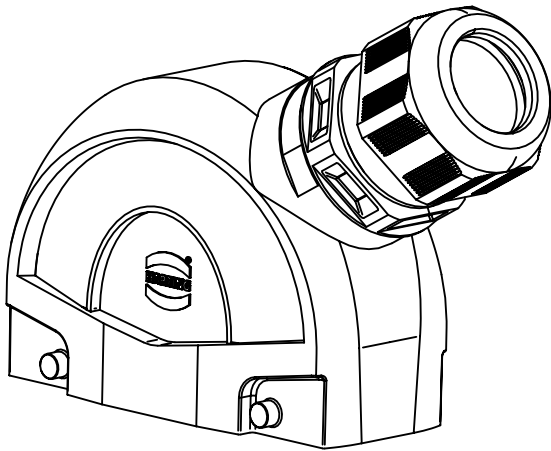
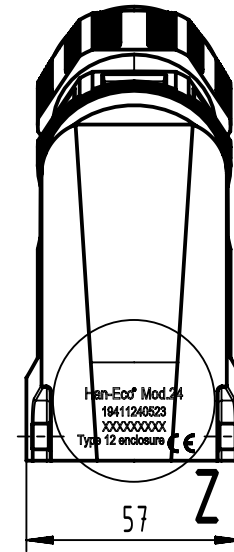
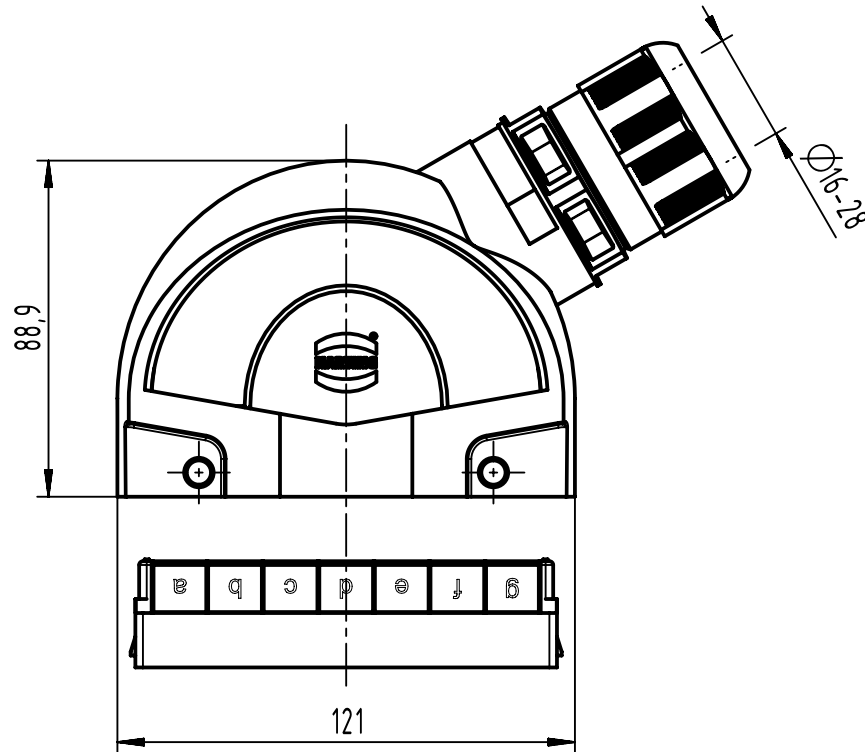
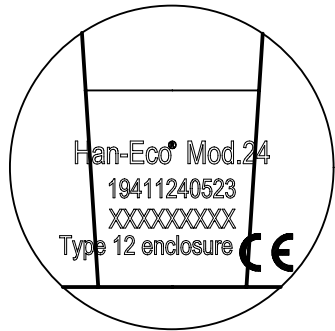


Z (1:1)



	All Dimensions in mm Original Size DIN A4		Scale 1:2	Free size tol.		Ref.		
						Sub.		
	All rights reserved		Created by 402918	Inspected by 402602	Standardisation 302077	Date 2021-03-08	State Final Release	
	Department EL PD		Title Han-Eco Mod.24-HSE-M40-glanded				Doc-Key / ECM-Nr. 100186824/UGD/008/B 500000190245	
HARTING D-32339 Espelkamp			Type TB	Number 19 41 124 0523			Rev. B	Page 1/1