

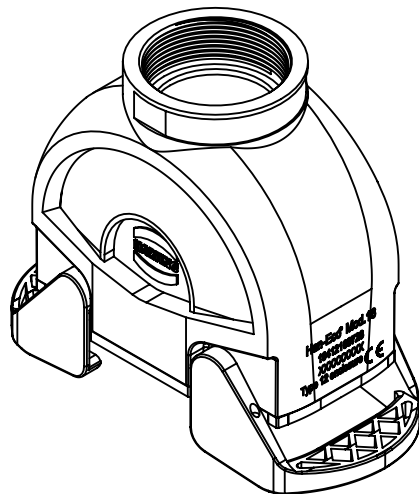
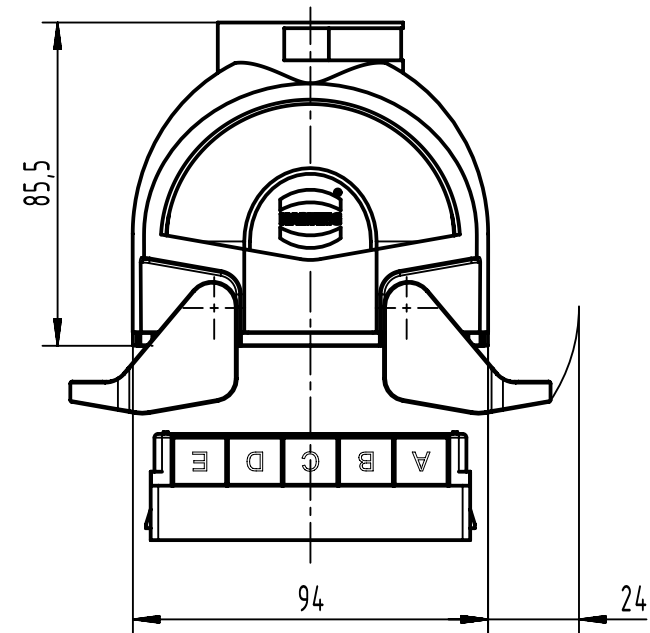
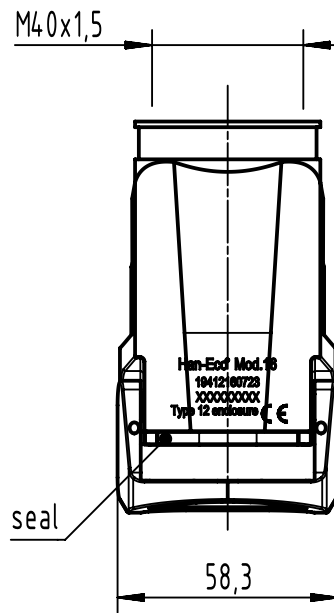
1 2 3 4 5 6


A

B

C

D



	All rights reserved Department EL PD	All Dimensions in mm Original Size DIN A4	Scale 1:2	Free size tol.	Ref.
		Created by 402918	Inspected by 402602	Standardisation 302077	Date 2021-03-08
HARTING D-32339 Espelkamp		Title Han-Eco Mod.16 Outd.-HCC-M40			Doc-Key / ECM-Nr. 100213388/UGD/005/E 500000190514
		Type TB	Number 19 41 216 0723		Rev. E
					Page 1/1