

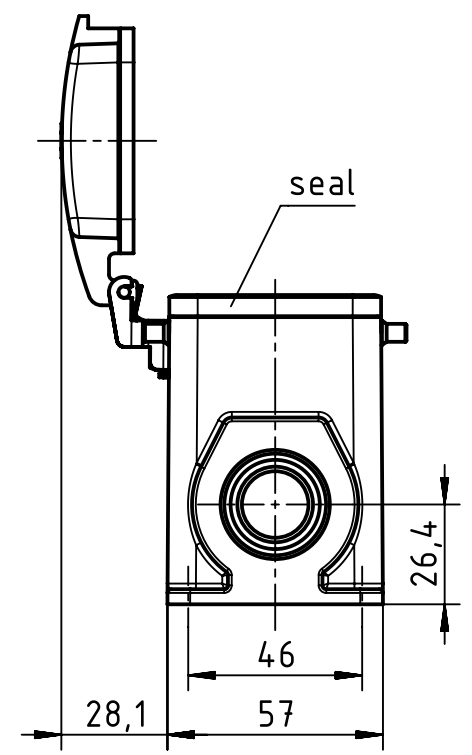
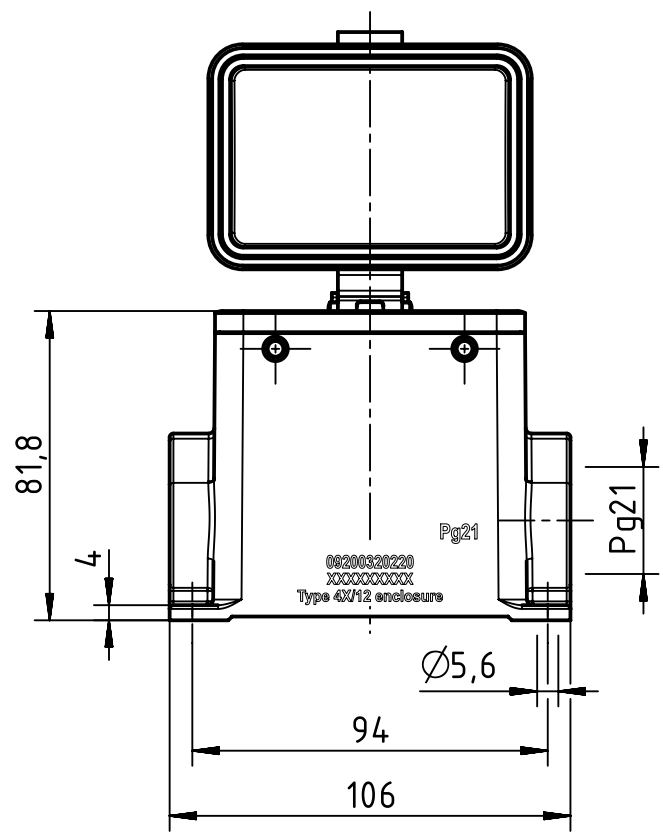
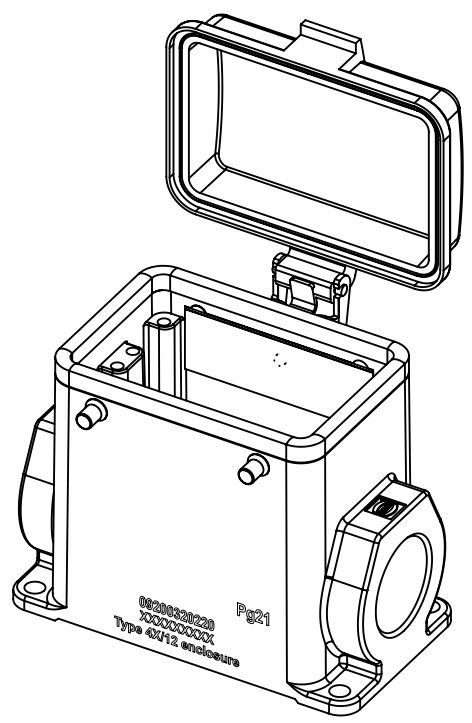
1 2 3 4 5 6

A

B

C

D



	All Dimensions in mm Original Size DIN A4		Scale 1:2	Free size tol.		Ref. Sub. TB 09 20 032 0220 v. 26.01.11	
		All rights reserved	Created by HELLMANN	Inspected by GERB	Standardisation GARSKE	Date 2019-12-02	State Final Release
Department EL PD		Title Han 32A-asg1-K-21					Doc-Key / ECM-Nr. 100206239/UGD/004/B 500000161416
HARTING Electric GmbH & Co. KG D-32339 Espelkamp		Type TB	Number 09 20 032 0220			Rev. B	Page 1/1