

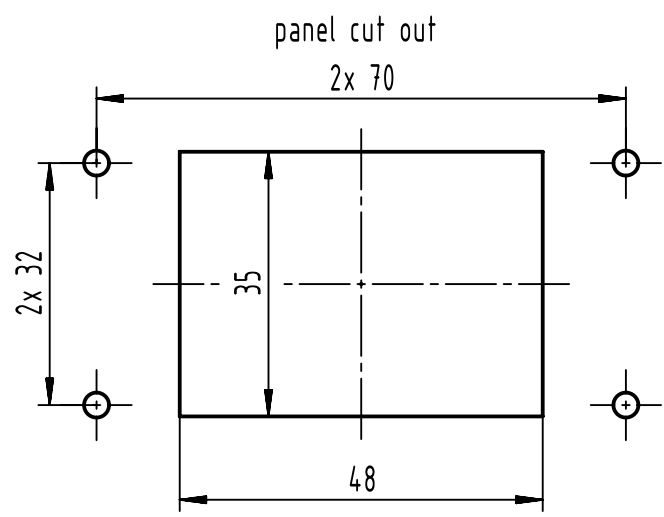
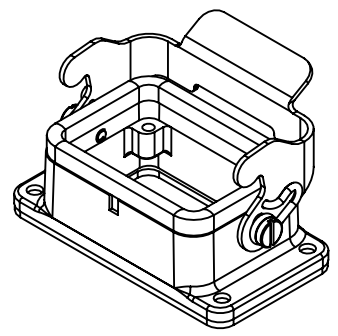
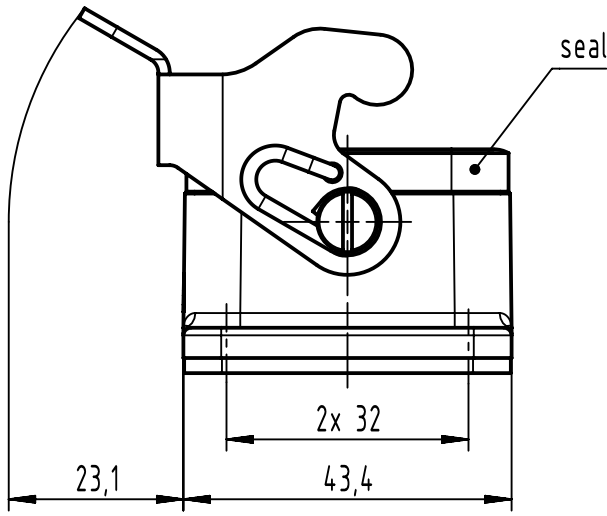
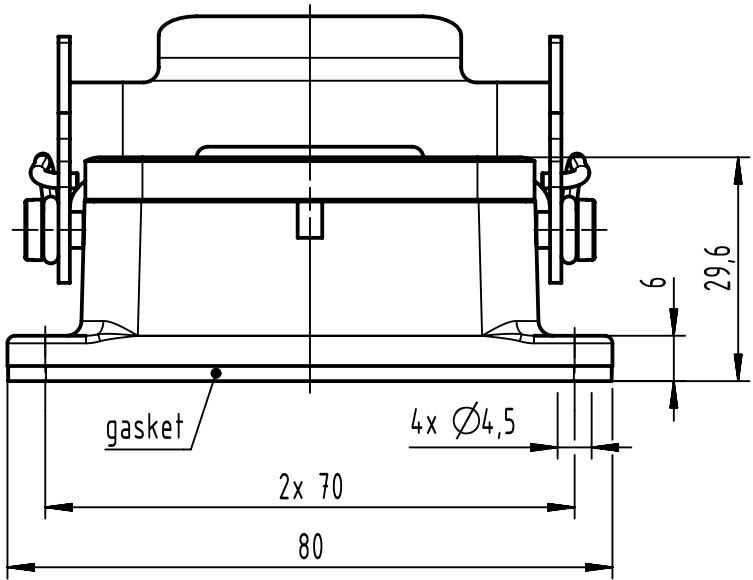
1 2 3 4 5 6


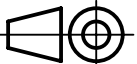
A

B

C

D



	All rights reserved		Created by BALSAN		Inspected by 402625		Standardisation		Date 2022-11-18		State Final Release	
	Department EL PD		Title Han-INOX® 6B HBM-SL		Number 19 44 006 0301		Doc-Key / ECM-Nr. 100965938/UGD/001/C 500000230165		Rev. C		Page 1/1	
 All Dimensions in mm Original Size DIN A4			Scale 1:1		Free size tol.		Ref.		Sub.			
HARTING D-32339 Espelkamp												