

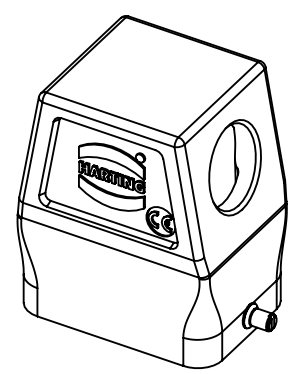
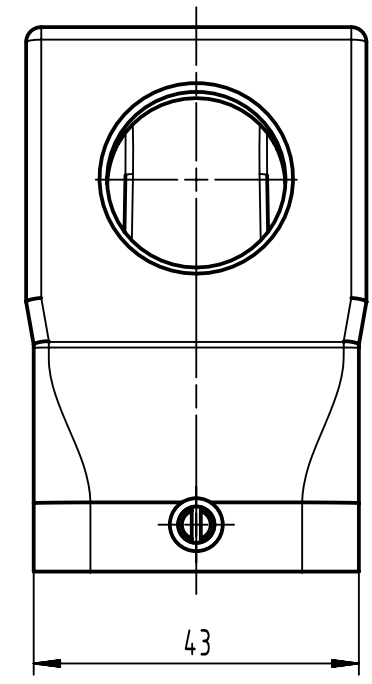
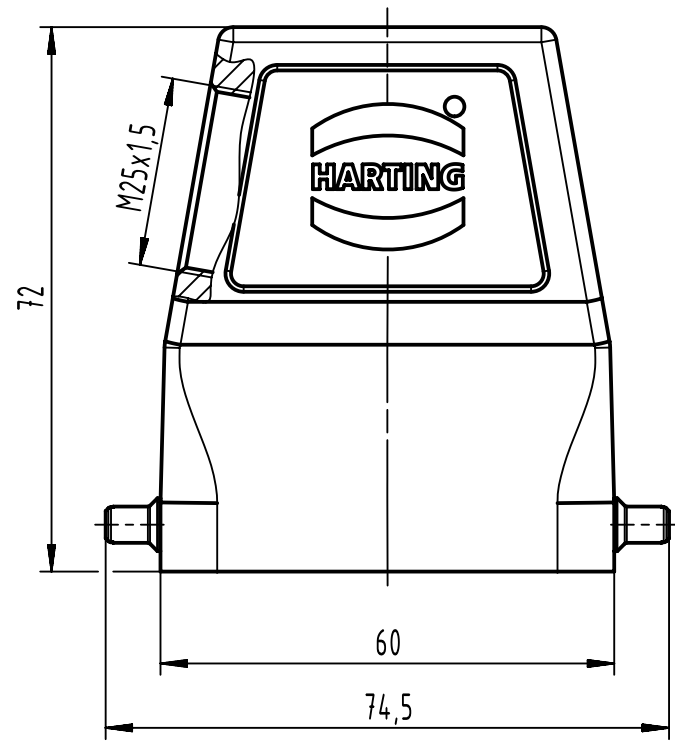
1 2 3 4 5 6

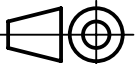

A

B

C

D



	All Dimensions in mm Original Size DIN A4		Scale 1:1	Free size tol.		Ref.		
						Sub.		
	All rights reserved		Created by BALSAN	Inspected by 402625	Standardisation	Date 2022-11-18	State Final Release	
	Department EL PD		Title Han-INOX® 6B HSE-M25 f. SL				Doc-Key / ECM-Nr. 100969815/UGD/001/B 500000230165	
HARTING D-32339 Espelkamp			Type TB	Number 19 44 006 0546			Rev. B	Page 1/1