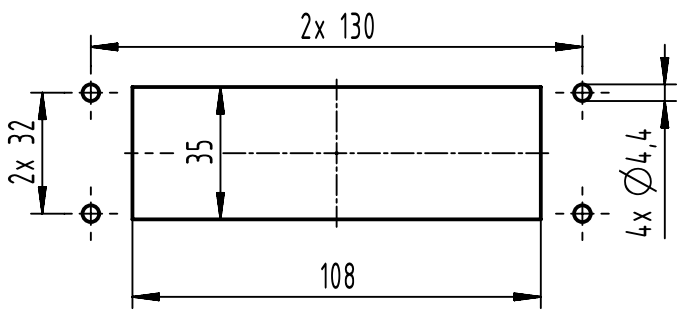



panel cut out



	All Dimensions in mm Original Size DIN A4		Scale 1:1	Free size tol.		Ref.
	All rights reserved Department EL PD		Created by BALSAN	Inspected by 402625	Standardisation SAP_WFRT	Sub.
HARTING D-32339 Espelkamp			Title <b>Han-INOX® 24B HBM-DL</b>			Date 2022-10-20
			Number 19 44 024 0301			State Final Release
			Doc-Key / ECM-Nr. 100876517/UGD/001/B 500000228081			Rev. <b>B</b>
			Type <b>TB</b>			Page 1/1