

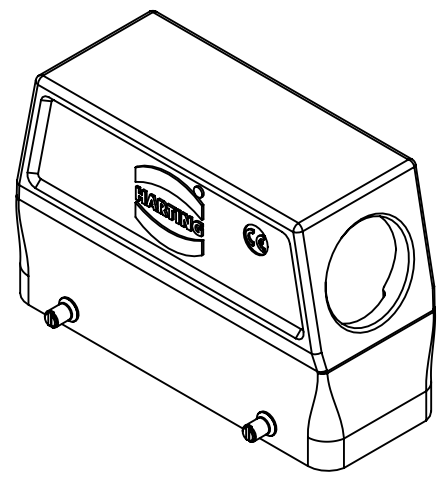
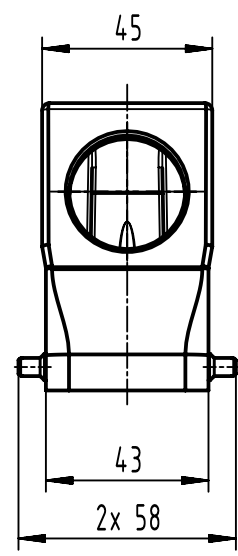
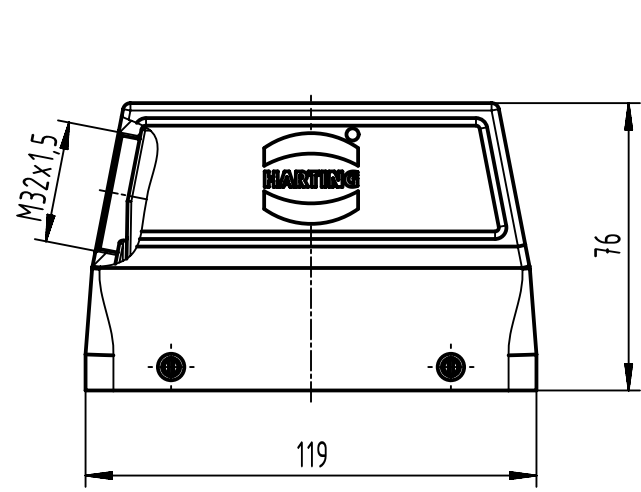
1 2 3 4 5 6

A

B

C

D



	All Dimensions in mm Original Size DIN A4		Scale 1:1	Free size tol.		Ref.		
						Sub.		
	All rights reserved		Created by BALSAN	Inspected by 402625	Standardisation SAP_WFRT	Date 2022-10-20	State Final Release	
	Department EL PD		Title Han-INOX® 24B HSE-M32 f.DL				Doc-Key / ECM-Nr. 100877316/UGD/001/D 500000228081	
HARTING D-32339 Espelkamp		Type TB	Number 19 44 024 0527				Rev. D	Page 1/1