

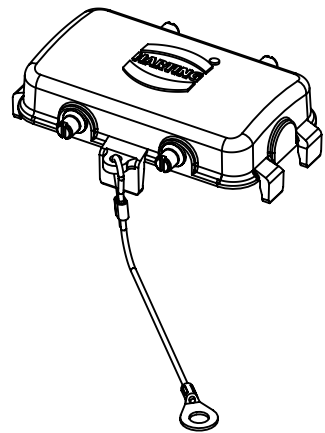
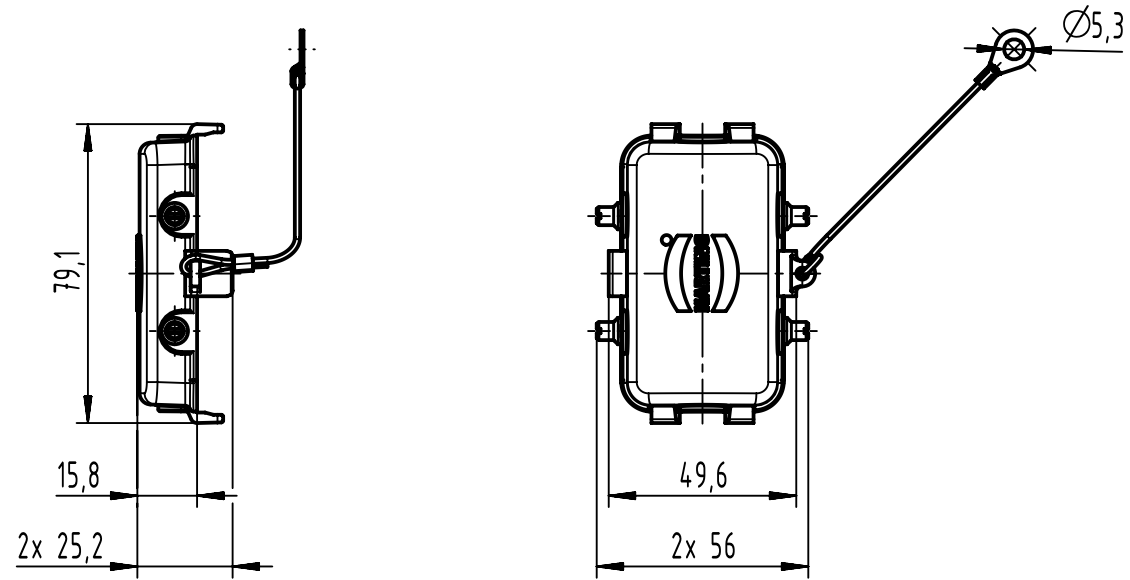
1 2 3 4 5 6

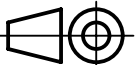

A

B

C

D



 All Dimensions in mm Original Size DIN A4	Scale	Free size tol.			Ref.
	1:2				Sub.
 All rights reserved Department EL PD	Created by	Inspected by	Standardisation	Date	State
	BALSAN	402625		2022-11-15	Final Release
HARTING D-32339 Espelkamp	Title				Doc-Key / ECM-Nr.
	Han 10B-C-INOX				10094.7235/UGD/001/B 500000228672
Type		Number		Rev.	Page
TB		19 44 010 5405		B	1/1