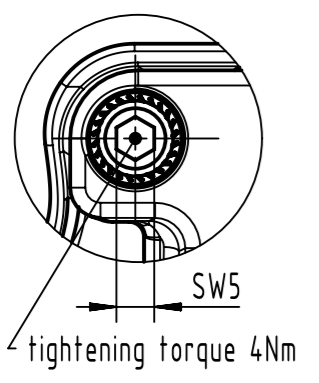
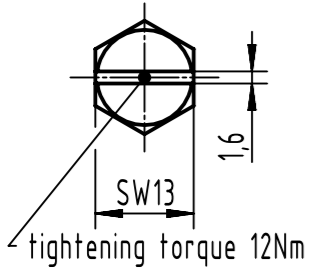


X (1:1) (4x)



F (1:1) (4x)



(1:2)
2x 130

4x M6
tightening torque 10Nm

154,9
4x M25x1,5

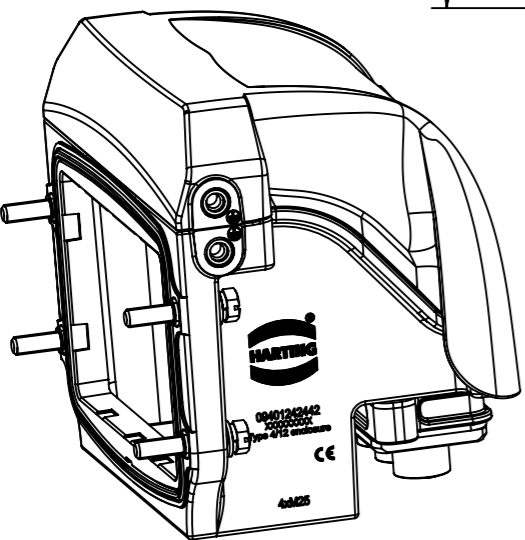
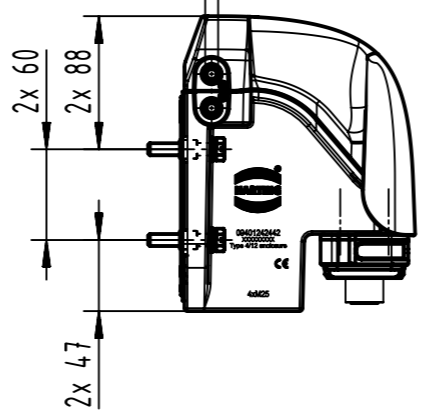
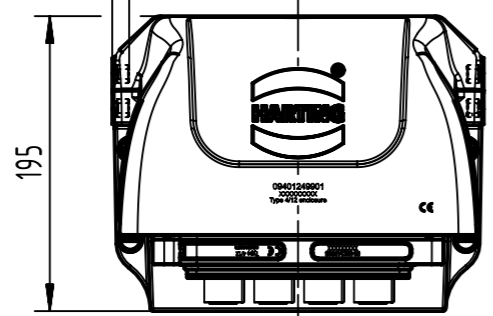
2x 32

35
105
245,7

seal

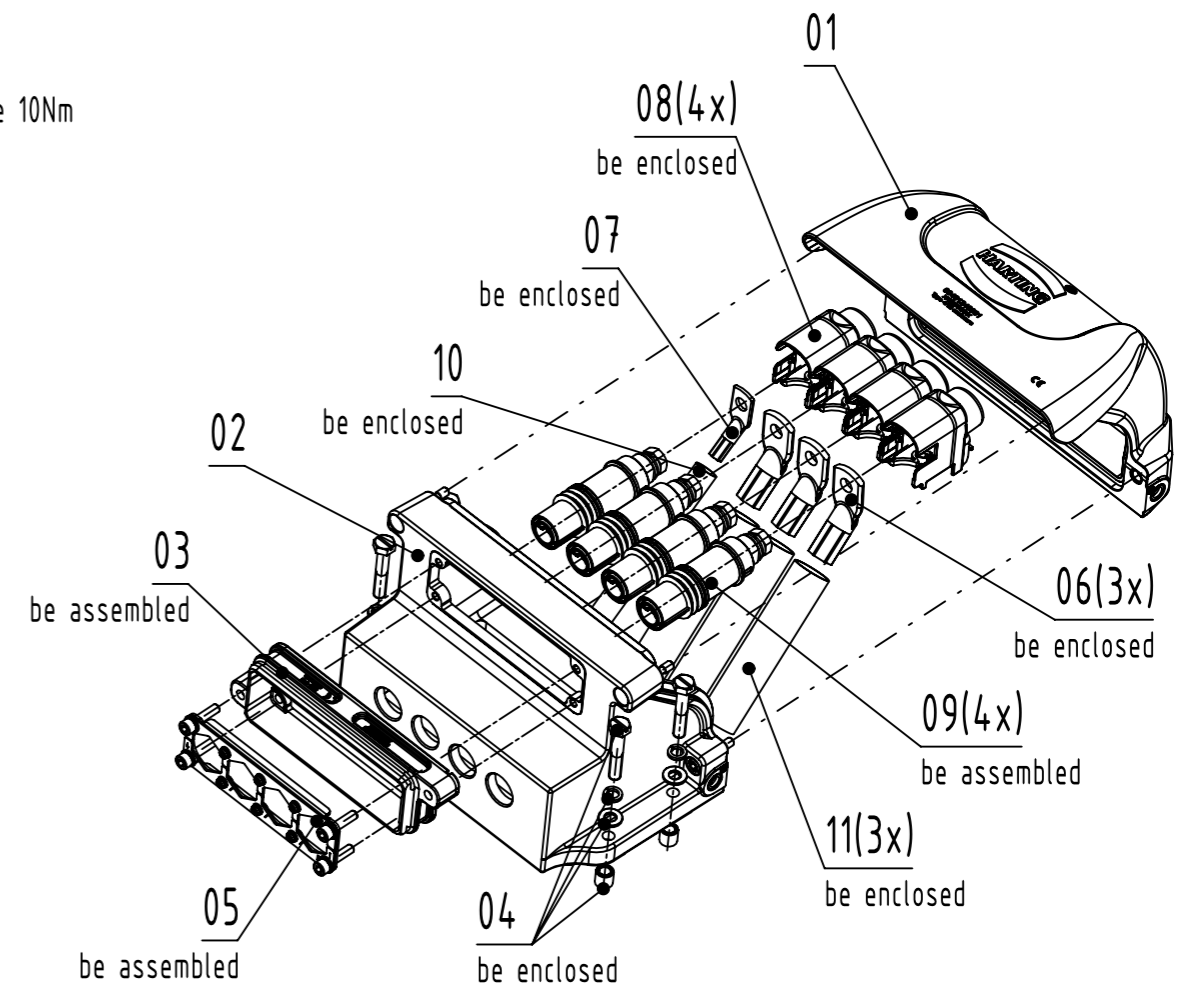
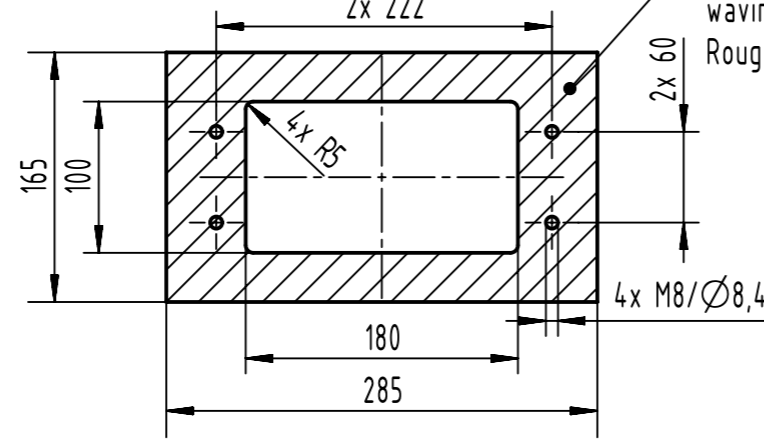
4x
11,2(PE thread insert)

4x M8(PE)
tightening torque 12Nm



Panel cut out
2x 222

Mounting area:
waviness: ≤0,2mm (in combination with mounting frame: ≤0,5mm)
Roughness: ≤Ra16µm



					Total net weight about:	4804g
11	09 40 124 2512 00	3	pcs	Heat shrink tube ø25,4x120mm black	25g	
10	09 40 124 1512 00	1	pcs	Heat shrink tube ø15x120mm black	5g	
09	09 11 001 2755	4	pcs	Han 1HC-bu-s-M10 350A	840g	
08	09 40 124 9911	4	pcs	Han 24HPR VarioShell-HC350 IC	90g	
07	09 40 124 2000 05	1	Piece	Cable lug Clauke44R1045 DIN EN60228 C1.2	58g	
06	09 40 124 2000 04	3	Pcs	Cable lug Clauke48R1045 DIN EN60228 C1.2	236g	
05	09 11 000 9965	1	piece	HC 350-Halterung enlarged-F 4xHC350	100g	
04	09 40 000 9807	1	piece	M8x45-22 Outer Hexagon bolt Set	100g	
03	09 40 024 0368	1	piece	Han 24HPR-enlarged-agg-SV	180g	
02	09 40 124 2442	1	piece	Han 24HPR VarioShell-HBMA-SCL-4xM25 Set1	1750g	
01	09 40 124 9901	1	piece	Han 24HPR VarioShell-Cover	1420g	
Item	Part number	QTY	Unit	Description	Weight	

All rights reserved Department EL PD HARTING D-32339 Espelkamp		All Dimensions in mm Original Size DIN A3 Scale 1:5 Free size tol.	Created by 406869 Inspected by DINGB Standardisation ROEBEN Date 2022-09-02 State Final Release	Ref. Sub. Title Han 24HPR VarioShell-4xM25-Set2 Type TB Number 10 40 124 1002	Doc-Key / ECM-Nr. 100845062/UGD/000/F 50000223941 Rev. F Page 1/1
---	--	---	---	--	--