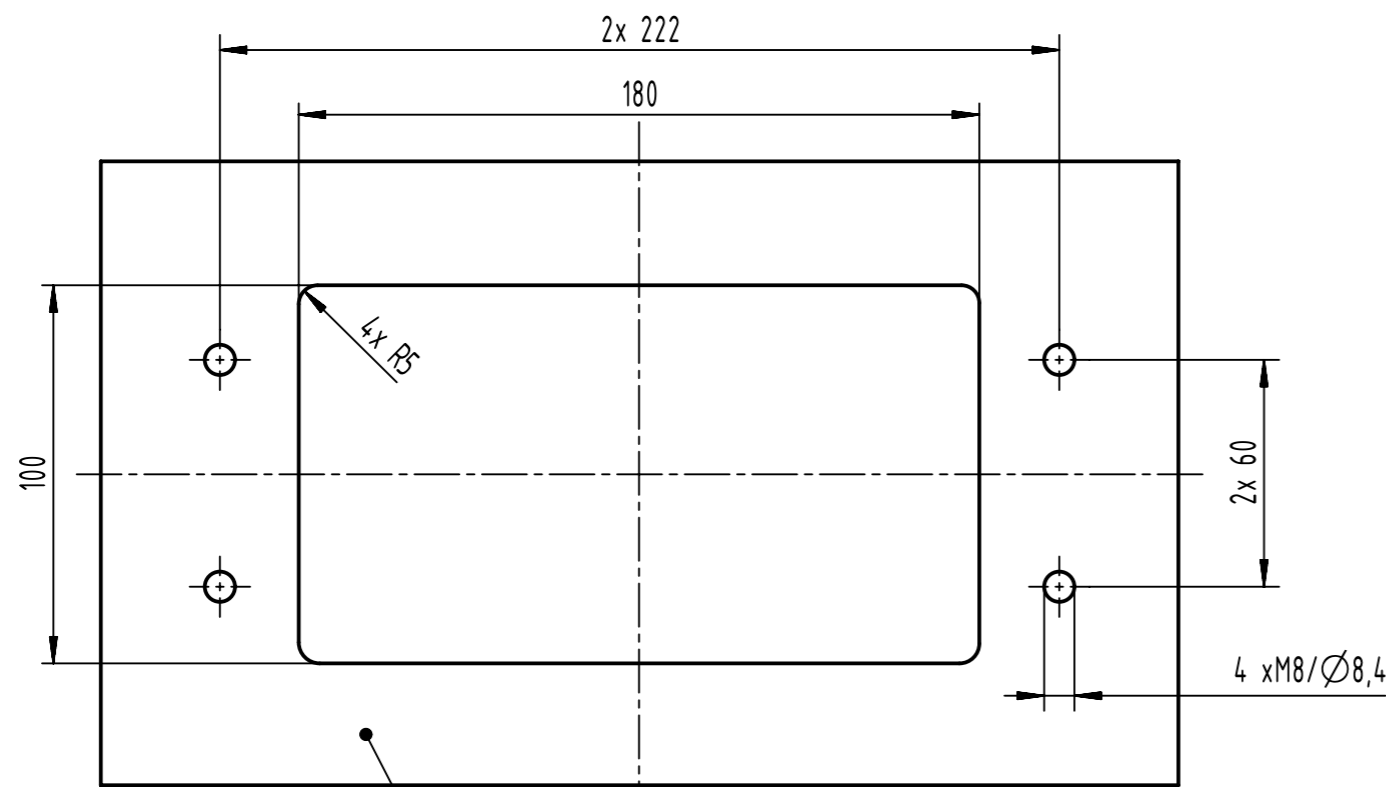
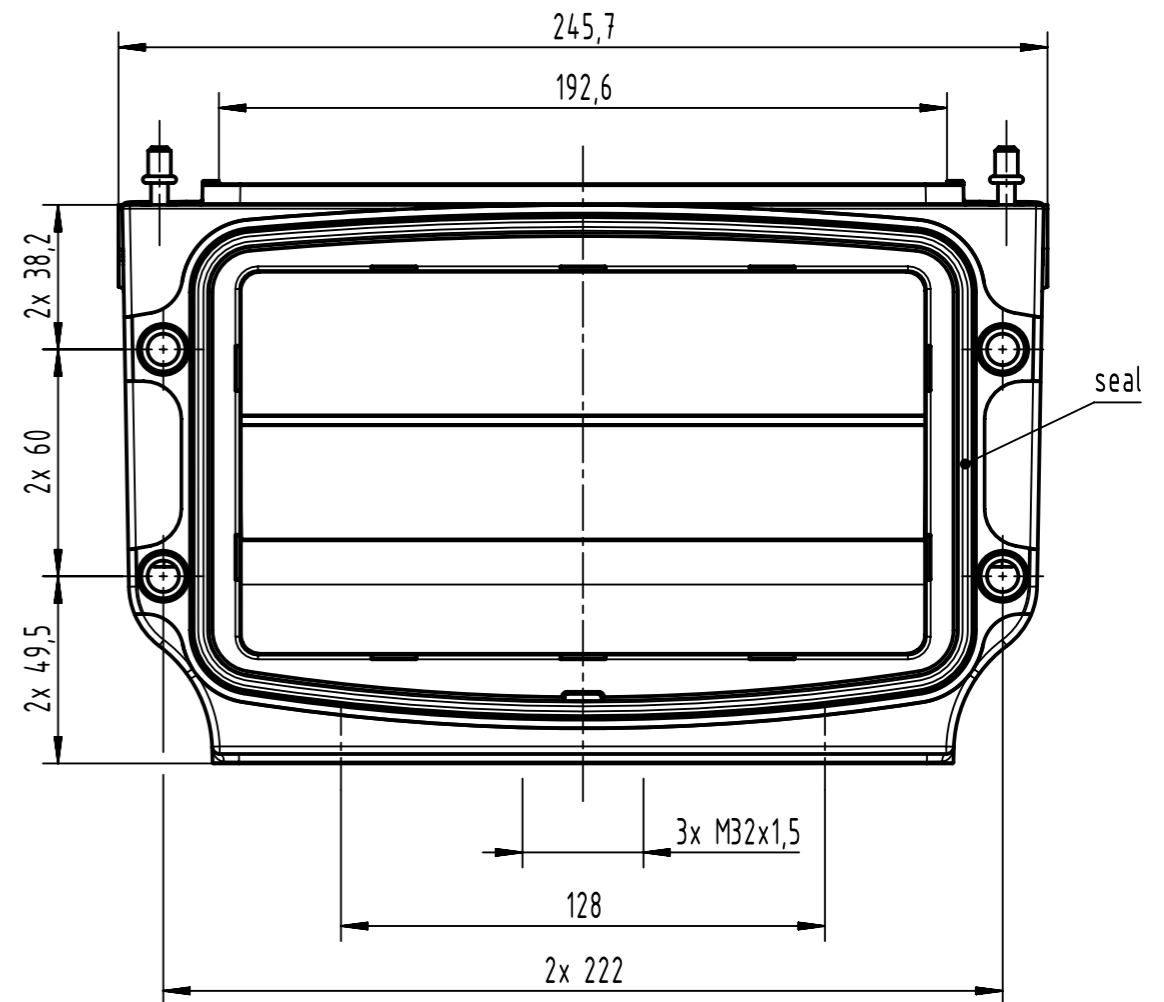
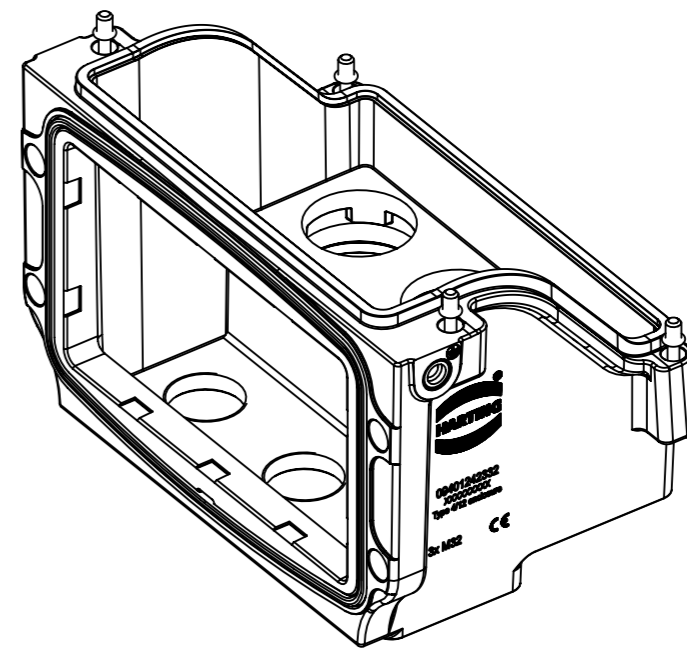


Panel cut out



Mounting area:
Waviness: $\leq 0,2\text{mm}$ (in combination with mounting frame: $\leq 0,5\text{mm}$)
Roughness: $\leq \text{Ra}16\mu\text{m}$



	All Dimensions in mm Original Size DIN A3		Scale 1:2	Free size tol.		Ref.
	All rights reserved Department EL PD		Created by 407807	Inspected by DINGB	Standardisation ROEBEN	Date 2023-01-05
HARTING D-32339 Espelkamp		Title Han 24HPR VarioShell-HBMA-SCL-SP2-3xM32			Doc-Key / ECM-Nr. 100948394/UGD/001/B 50000232804	
		Type TB	Number 09 40 124 2332		Rev. B	Page 1/1