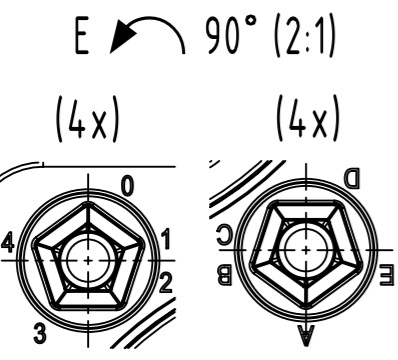


1 2 3 4 5 6 7 8

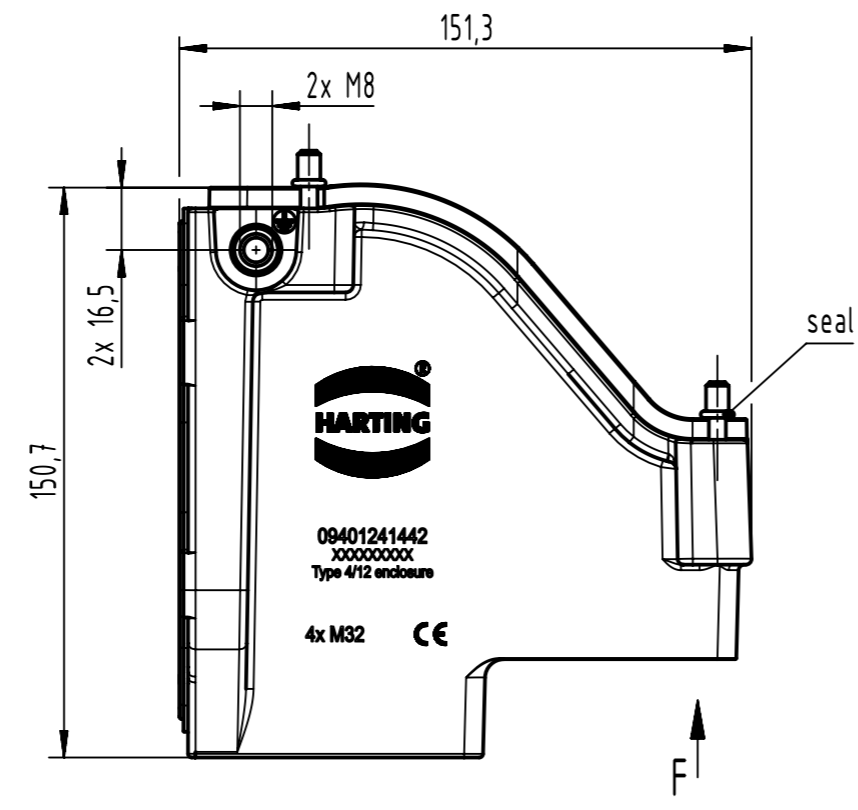
A
B
C
D
E
F



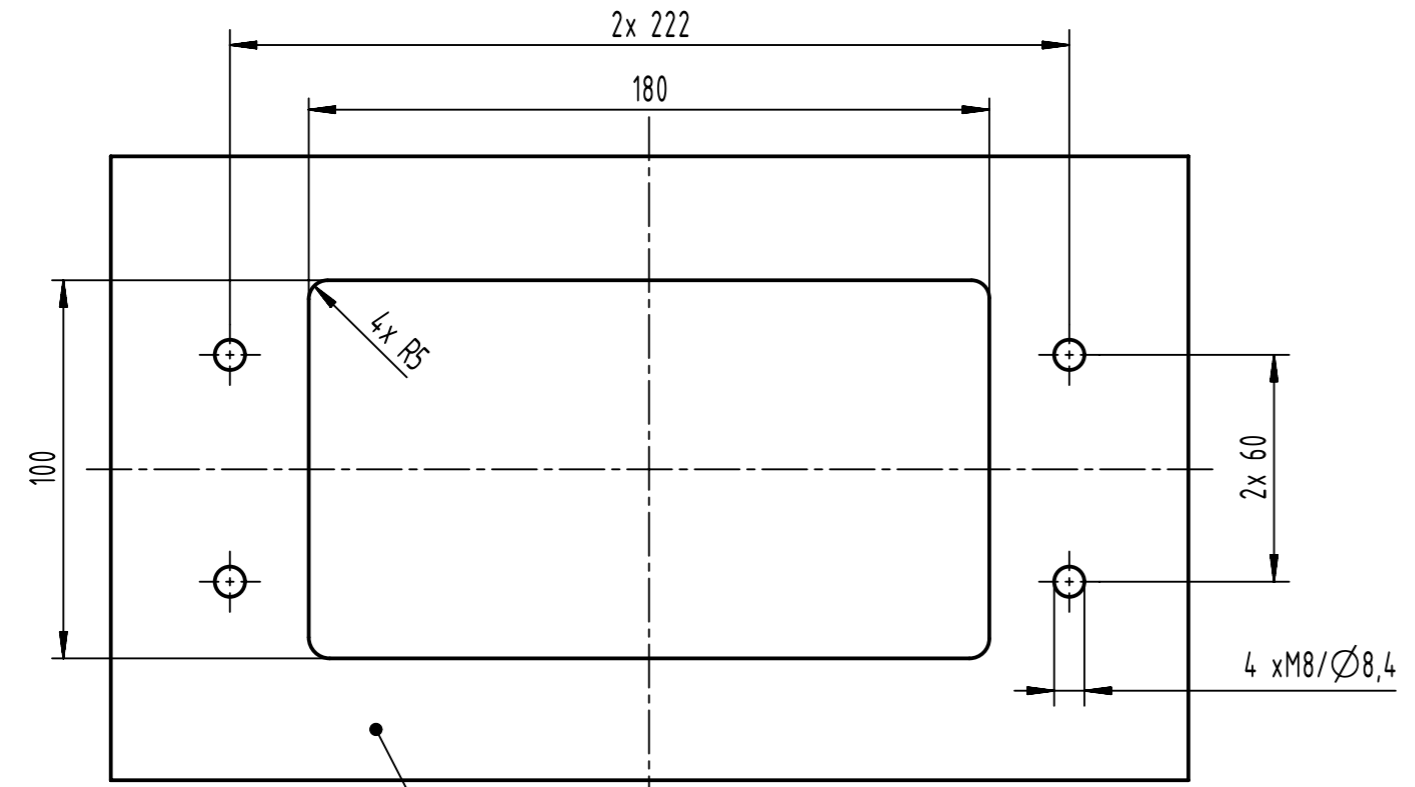
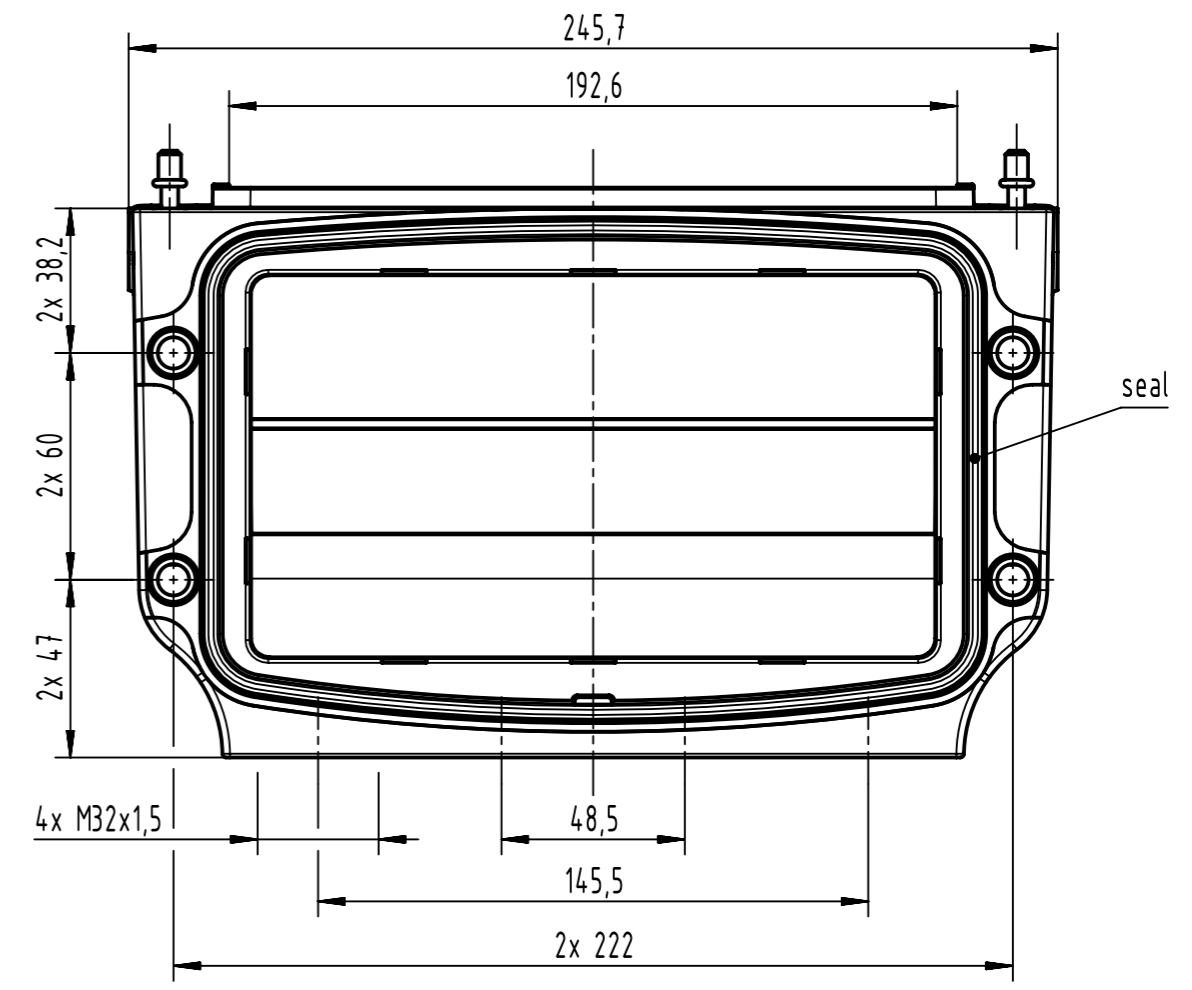
F (1:1) (4x)



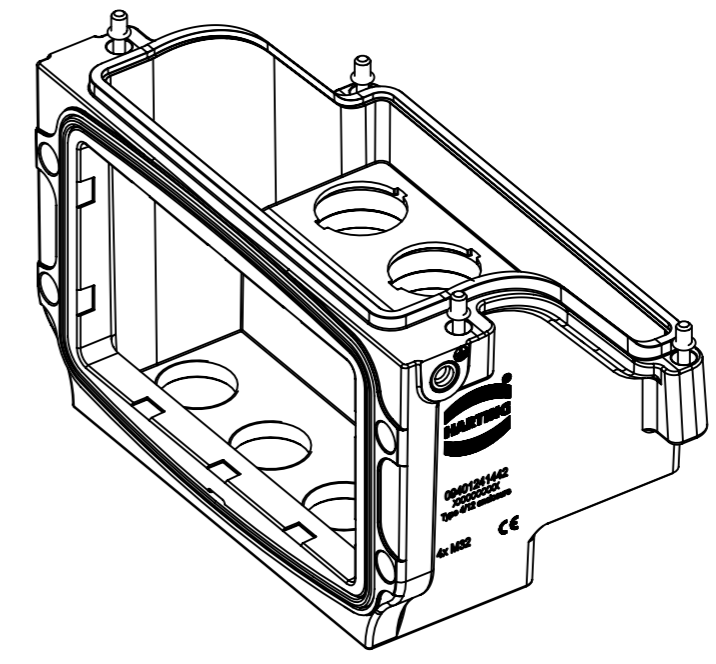
SW5
tightening torque min. 10Nm



Panel cut out



Mounting area:
Waviness: ≤0,2mm (in combination with mounting frame: ≤0,5mm)
Roughness: ≤Ra16µm



	All Dimensions in mm Original Size DIN A3		Scale 1:2	Free size tol.		Ref.
	All rights reserved Department EL PD		Created by 407807	Inspected by DINGB	Standardisation ROEBEN	Date 2023-01-05
HARTING D-32339 Espelkamp		Title Han 24HPR VarioShell-HBMA-SCL-SP1-4xM32			State Final Release	
		Type TB	Number 09 40 124 1442		Doc-Key / ECM-Nr. 100964159/UGD/001/B 500000232804	Rev. B Page 1/1