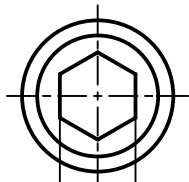


X (2:1)



SW 5
tightening torque
min. 4Nm

M25

M25x1,5

90

HARTING

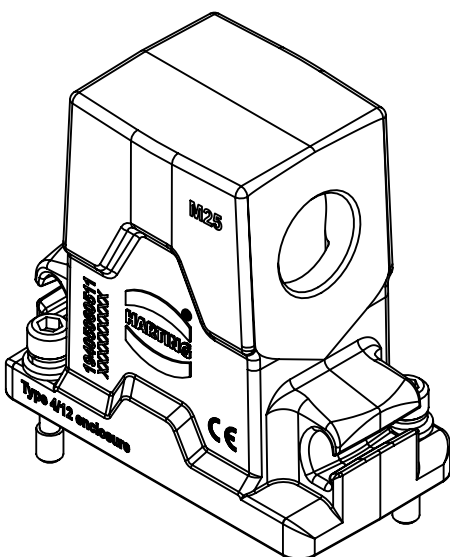
CE


19405060511
XXXXXXXXXX

Type 4/12 enclosure

95

50



	All rights reserved		Scale 1:1		Free size tol.		Ref.		
	Department EL PD		Created by WENE	Inspected by LUOK	Standardisation 302077	Date 2021-06-04	State Final Release		
HARTING D-32339 Espelkamp			Title Han 6HPR-Compact-HSE-HC-SCL-M25				Doc-Key / ECM-Nr. 100871836/UGD/001/C 500000196202		
			Type TB	Number 19 40 506 0511		Rev. C	Page 1/1		