

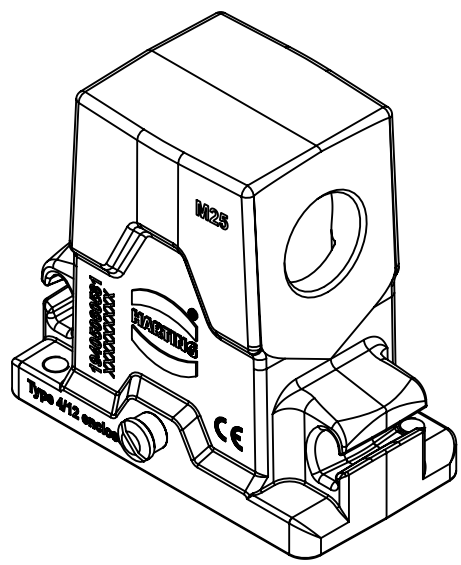
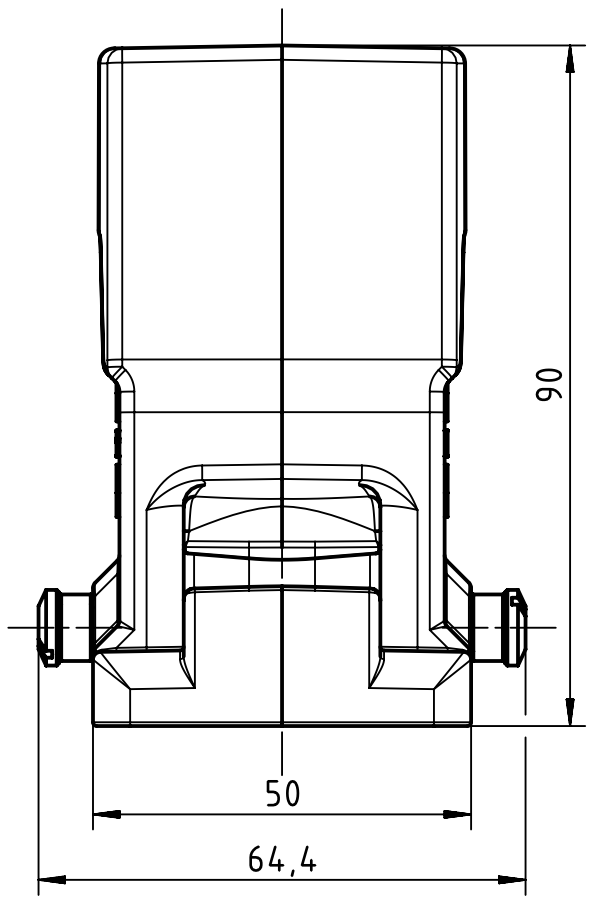
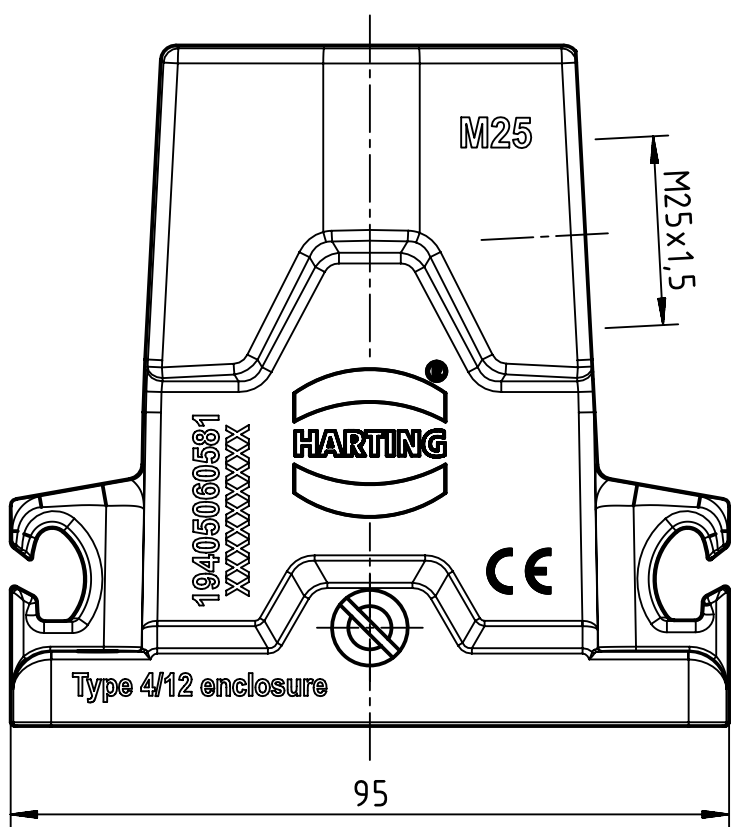
1 2 3 4 5 6

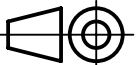

A

B

C

D



	All Dimensions in mm Original Size DIN A4		Scale 1:1	Free size tol.		Ref.
			Created by LONGL	Inspected by LUOK	Standardisation GARSKE	Date 2020-08-27
All rights reserved Department EL PD		Title Han 6HPR-Compact-HSE-HC-for CL-M25			State Final Release	
HARTING Electric GmbH & Co. KG D-32339 Espelkamp		Type TB			Number 19 40 506 0581	
					Doc-Key / ECM-Nr. 100873871/UGD/001/B 500000178764	Rev. B
					Page 1/1	