

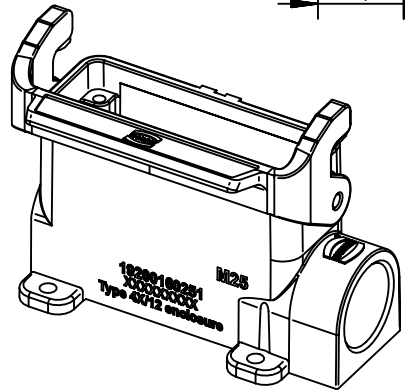
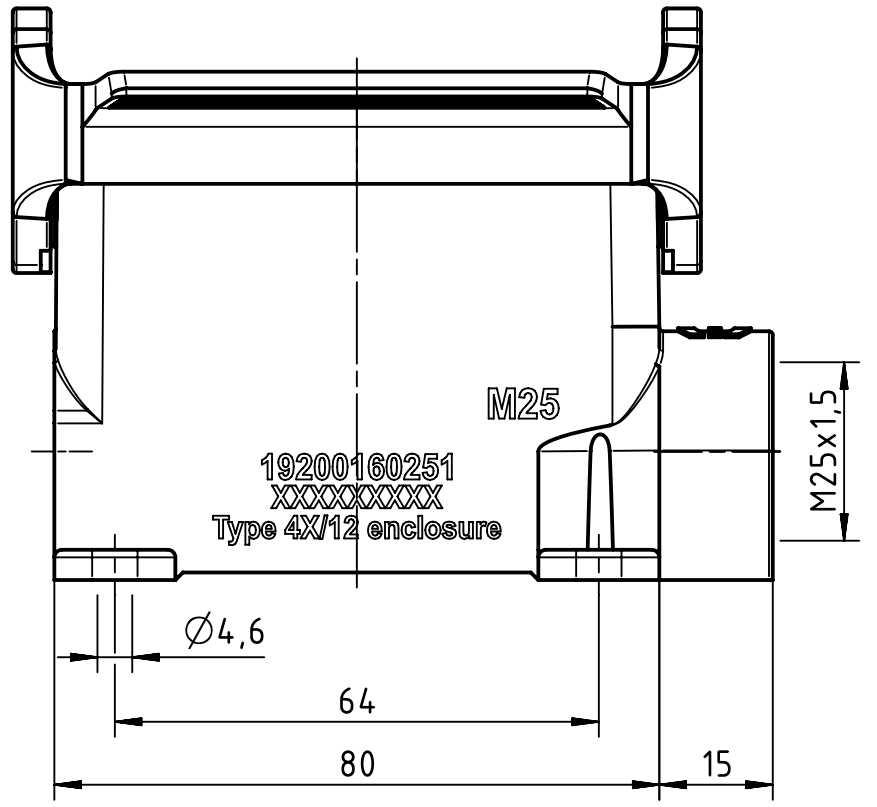
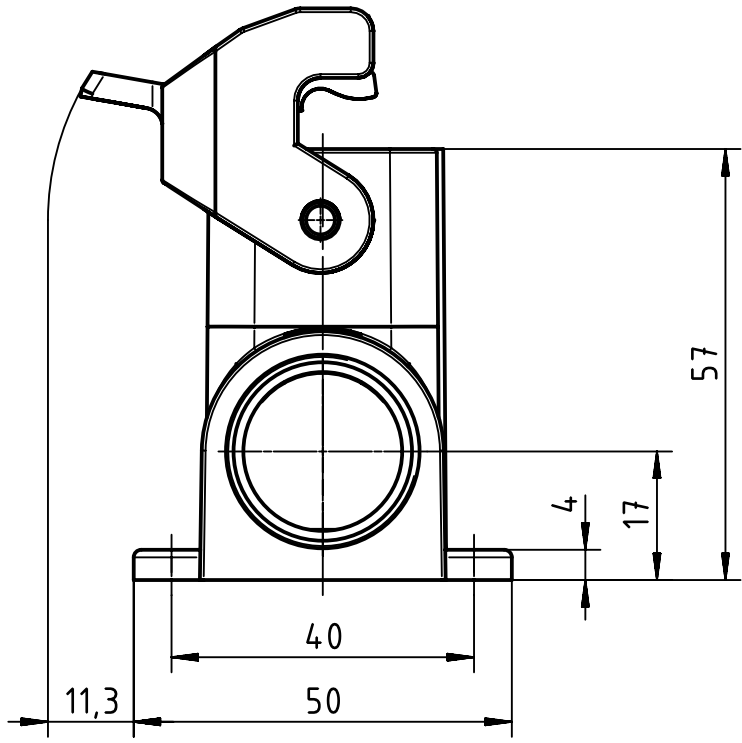
1 2 3 4 5 6

A

B

C

D



	All Dimensions in mm Original Size DIN A4		Scale	Free size tol.		Ref.	
	All rights reserved Department EL PD		1:1			Sub.	
HARTING Electric GmbH & Co. KG D-32339 Espelkamp		Created by	Inspected by	Standardisation	Date	State	
		HELLMANN	GERB	GARSKE	2019-12-04	Final Release	
Title Han 16A-HSM-HC 1 Lever 1xM25					Doc-Key / ECM-Nr. 100186840/UGD/004/D 500000160754		
		Type	Number		Rev.	Page	
		TB	19 20 016 0251		D	1/1	