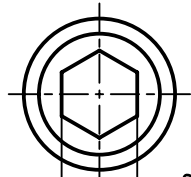


X (2:1) 2x



SW 5
tightening
torque
min. 4Nm

M25

M25x1,5



19405161511
XXXXXXXXXX

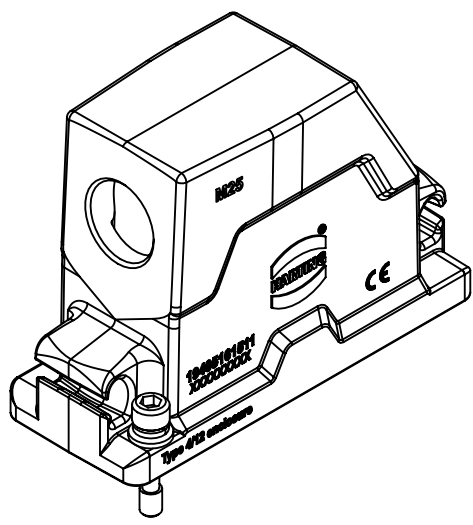
CE

Type 4/12 enclosure

128,5

90

50



	All Dimensions in mm Original Size DIN A4		Scale 1:1	Free size tol.		Ref.	
						Sub.	
	All rights reserved		Created by WENE	Inspected by LUOK	Standardisation 302077	Date 2021-06-30	
	Department EL PD					State Final Release	
HARTING			Title Han 16HPR-Compact-HSE-LC-SCL-M25			Doc-Key / ECM-Nr. 100872801/UGD/001/C 500000198079	
D-32339 Espelkamp			Type TB	Number 19 40 516 1511			
						Rev. C	Page 1/1