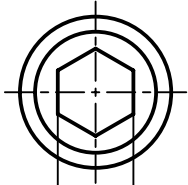
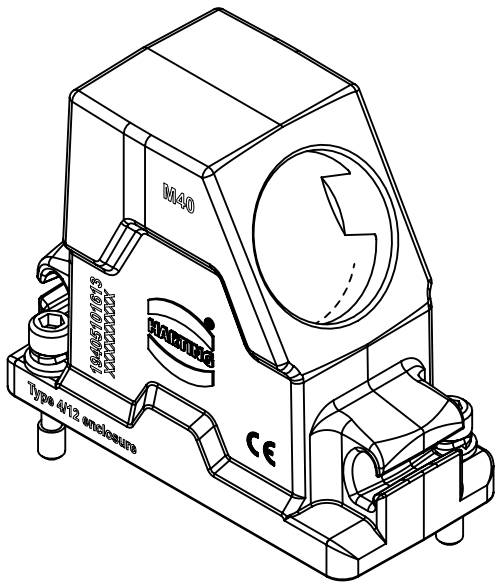
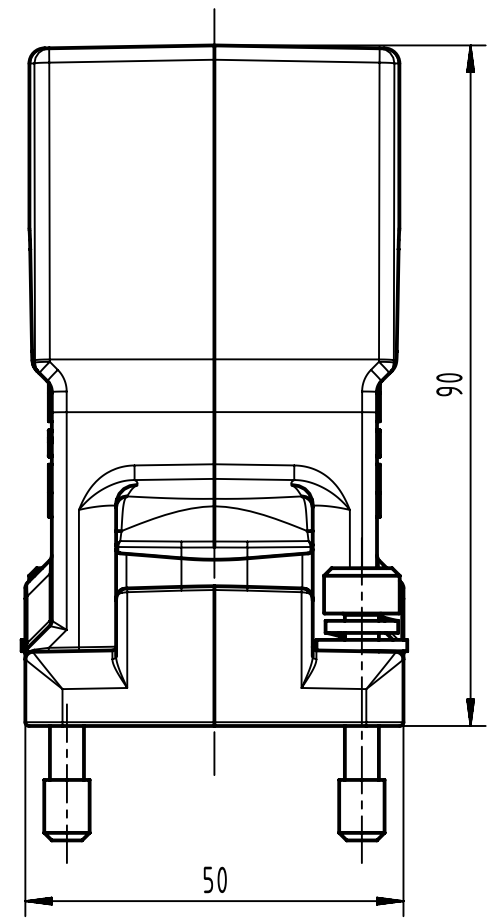
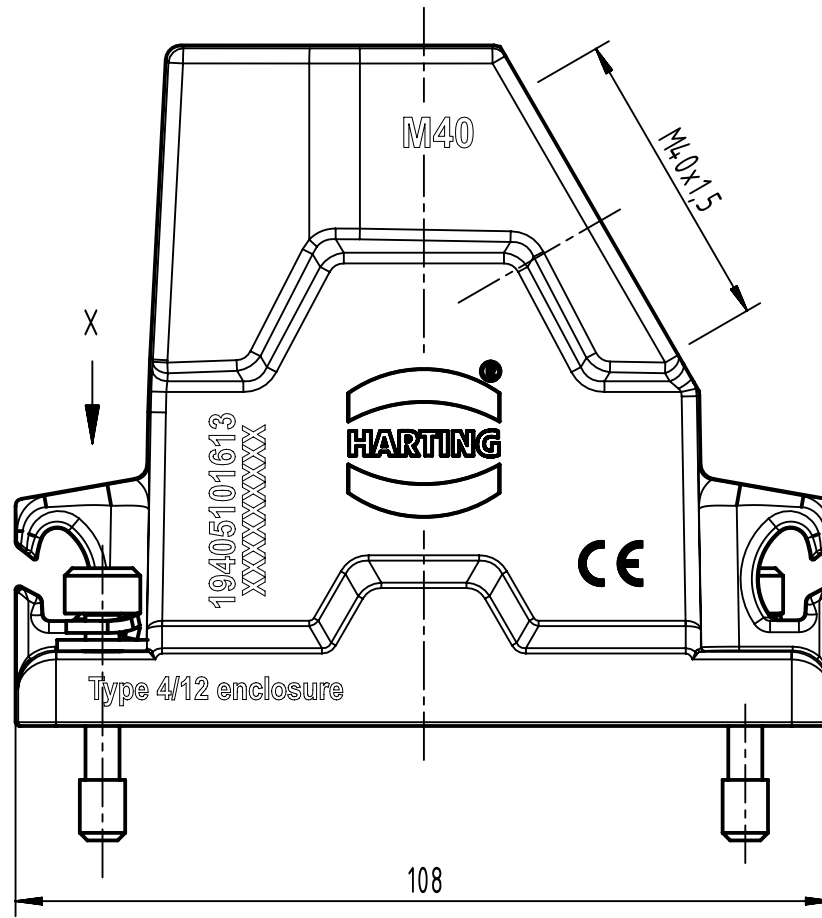


X (2:1) 2x



SW 5  
tightening  
torque  
min. 4Nm



	All Dimensions in mm Original Size DIN A4		Scale 1:1	Free size tol.		Ref.	
						Sub.	
	All rights reserved		Created by WENE	Inspected by LUOK	Standardisation 302077	Date 2021-06-30	
	Department EL PD					State Final Release	
HARTING			Title Han 10HPR-Compact-HA-LC-SCL-M40			Doc-Key / ECM-Nr. 100892044 / UGD/001/C 500000197711	
D-32339 Espelkamp			Type TB	Number 19 40 510 1613			
						Rev. C	Page 1/1