

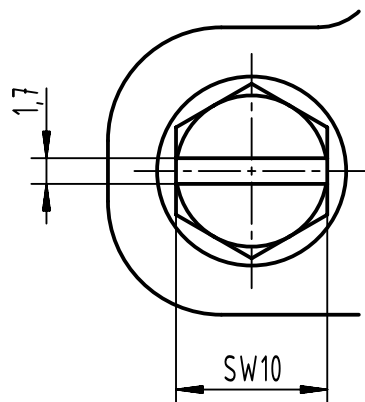
A

B

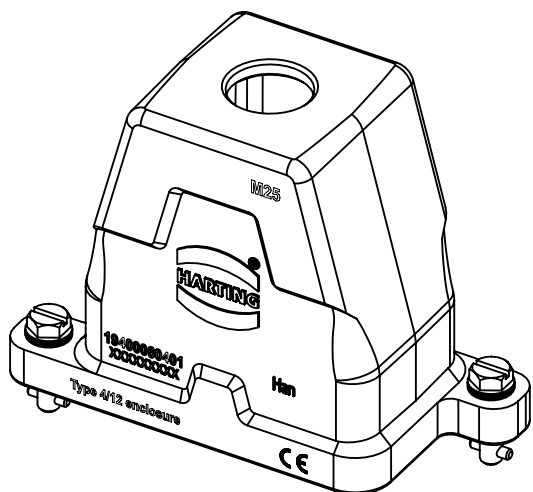
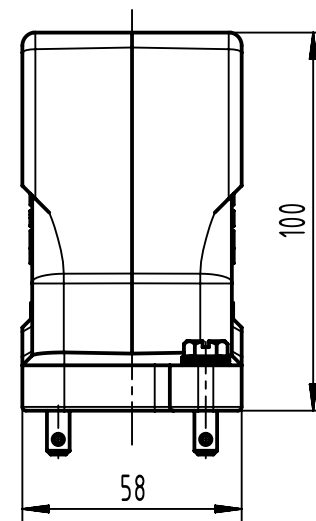
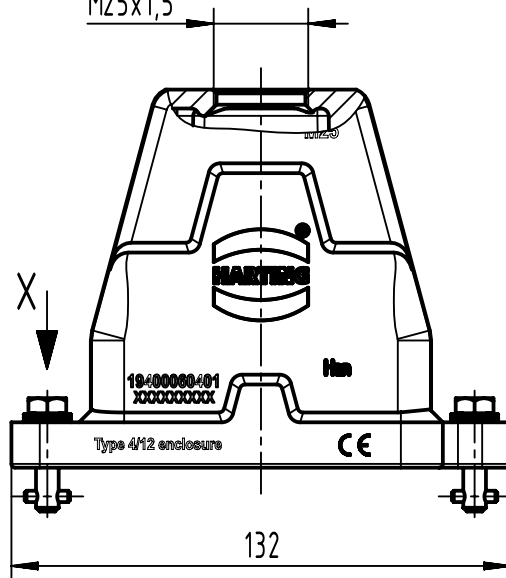
C

D

X (2:1)



M25x1,5



| | | | | | | | |
|-------------------|----------------------------------------------|--|--------------------------------------------------|--------------------------|-----------------|----------------------------------------------------------|-------------|
| | All Dimensions in mm Original Size DIN A4 | | Scale 1:2 | Free size tol. | | Ref. | |
| | | | | | | Sub. | |
| | All rights reserved | | Created by SPRENB | Inspected by GERB | Standardisation | Date 2021-09-10 | |
| | Department EL PD | | | | | State Final Release | |
| HARTING | | | Title Han 6HPR Hood Top Entry M25 Toggle lock | | | Doc-Key / ECM-Nr. 100208623/UGD/004/D 500000201415 | |
| D-32339 Espelkamp | | | Type TB | Number 19 40 006 0401 | | | |
| | | | | | | Rev. D | Page 1/1 |