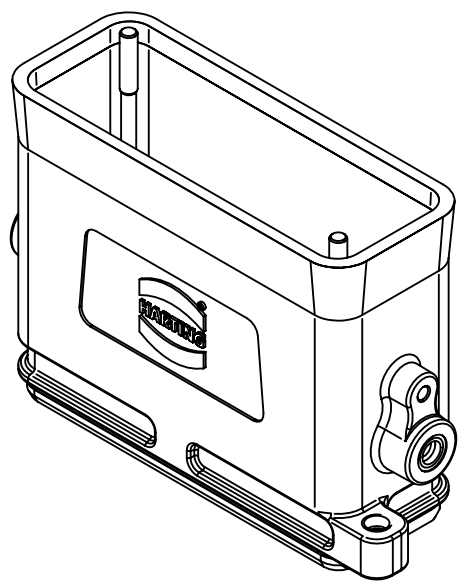
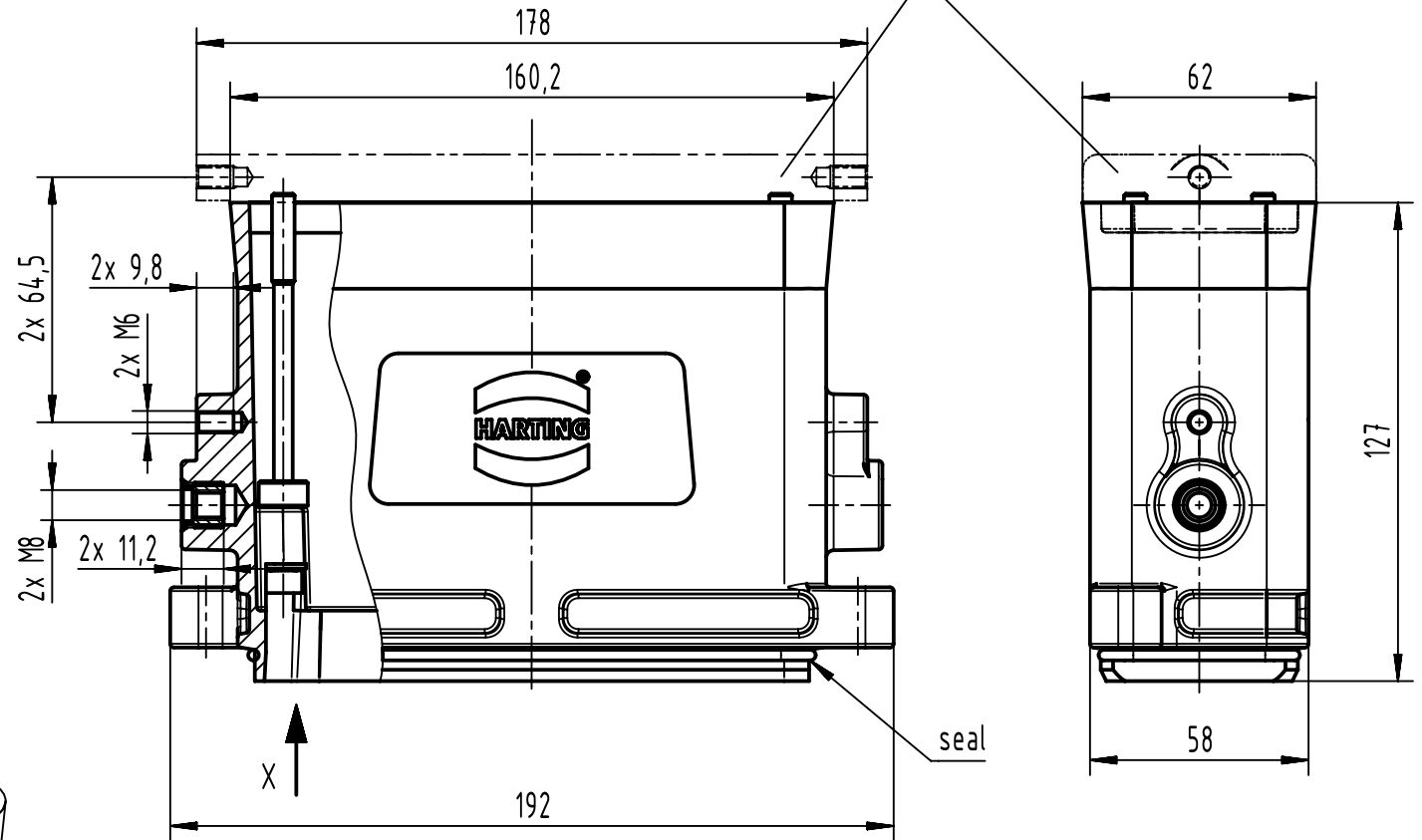
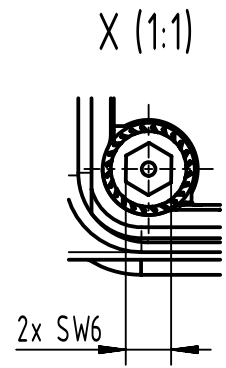


1 2 3 4 5 6

A
B
C
D

cover not included in delivery



	All Dimensions in mm Original Size DIN A4		Scale 1:2	Free size tol.		Ref.
			Created by 100887	Inspected by GERB	Standardisation 302077	Sub.
All rights reserved Department EL PD		Title Han 24HPR EasyCon-HSM		Date 2021-04-22	State Final Release	
HARTING D-32339 Espelkamp		Type TB	Number 09 40 024 0951		Doc-Key / ECM-Nr. 100196784/UGD/004/G 500000193644	Rev. G
						Page 1/1