

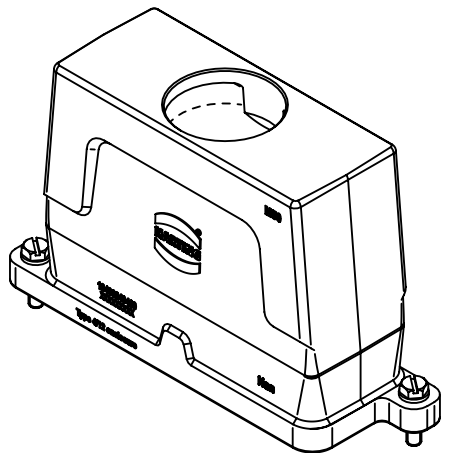
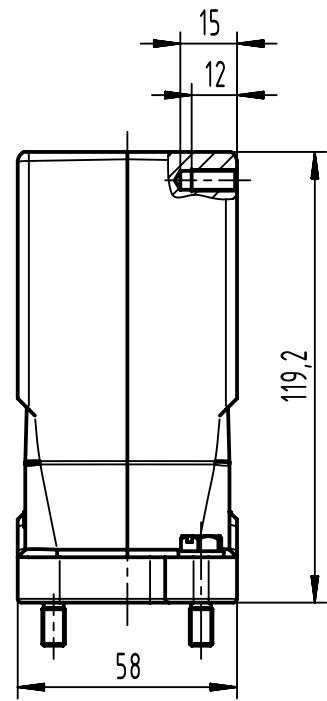
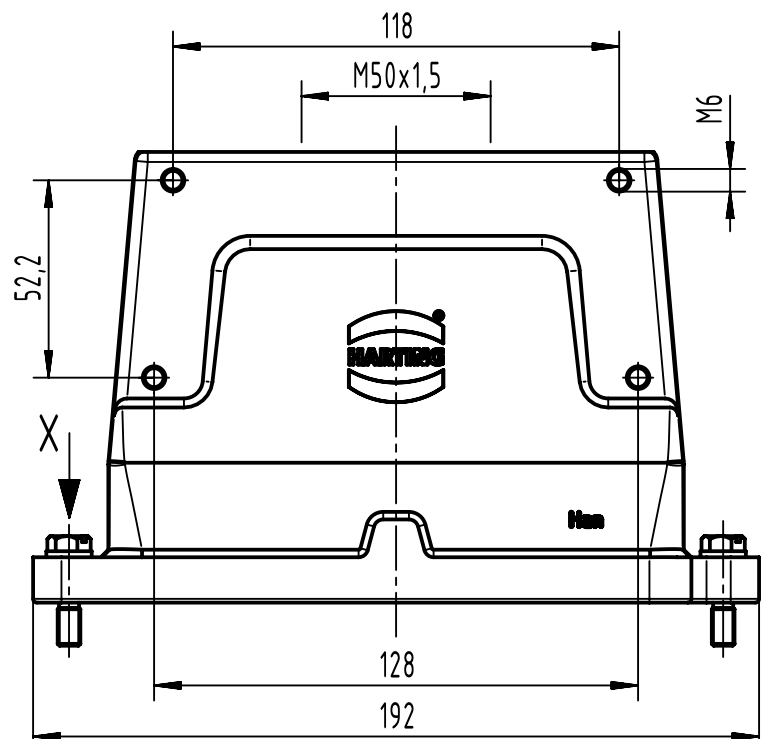
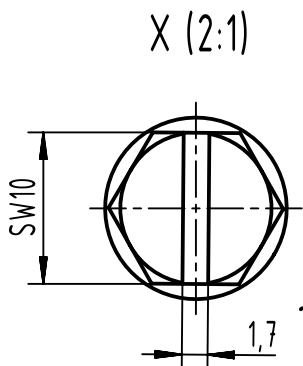
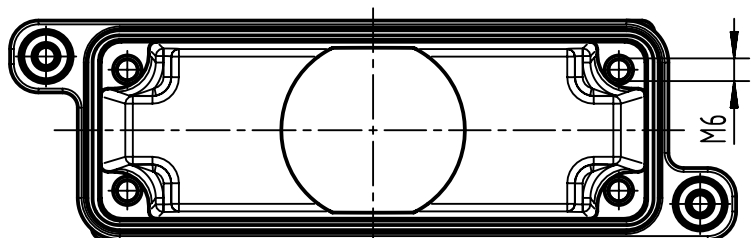
1 2 3 4 5 6


A

B

C

D



	All rights reserved		Created by HOLLERT		Inspected by SCHNIEDER		Standardisation 302077		Date 2021-01-18		State Final Release	
	Department EL PD		Title Han 24HPR-enlarged-HTE-SL-M50		Number 19 40 024 0469		Doc-Key / ECM-Nr. 100221324/UGD/004/E 500000187248		Rev. E		Page 1/1	
All Dimensions in mm Original Size DIN A4			Scale 1:2		Free size tol.		Ref.		Sub.			
HARTING D-32339 Espelkamp												