

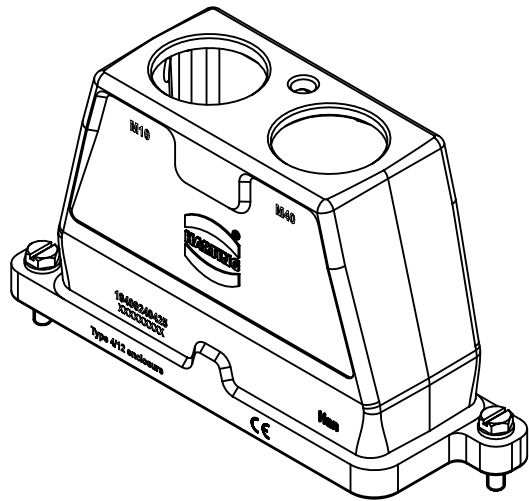
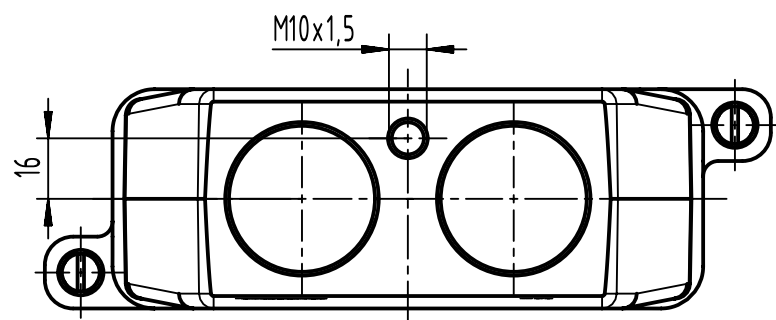
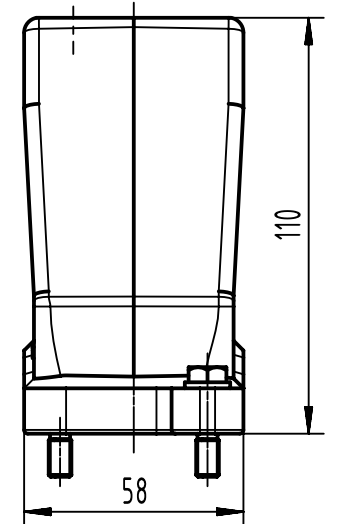
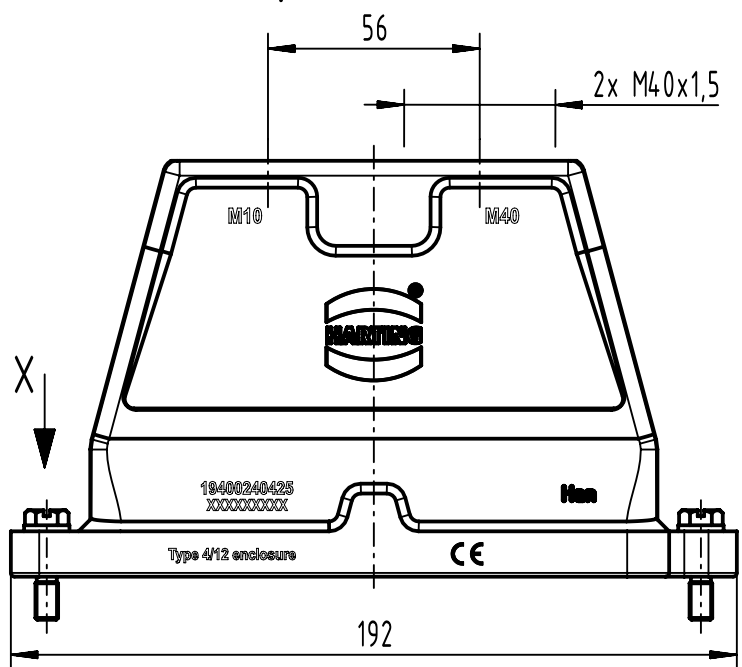
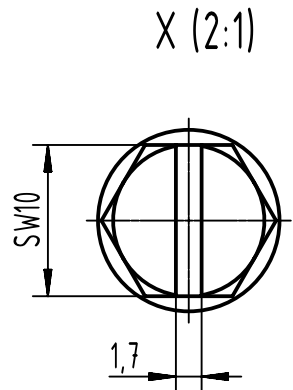
1 2 3 4 5 6

A

B

C

D



	All rights reserved Department EL PD	All Dimensions in mm Original Size DIN A4		Scale 1:2	Free size tol.	Ref.	
		Created by HOLLERT	Inspected by 100219	Standardisation	Date 2023-10-10	State Final Release	
HARTING D-32339 Espelkamp		Title Han 24HPR-HTE3-SCL-M40/M40/M10				Doc-Key / ECM-Nr. 101097968/UGD/004/A 500000254993	
		Type TB	Number 19 40 024 0425			Rev. A	Page 1/1