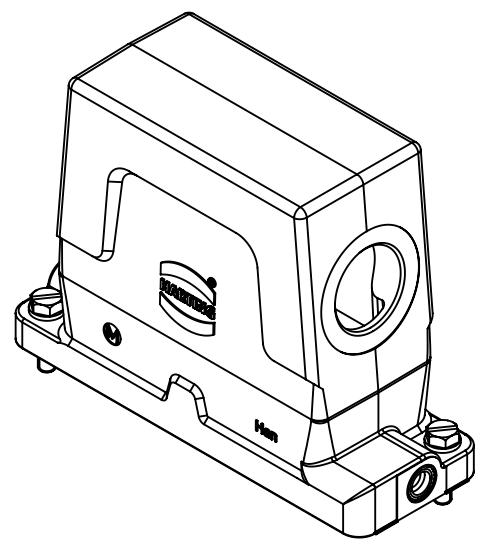
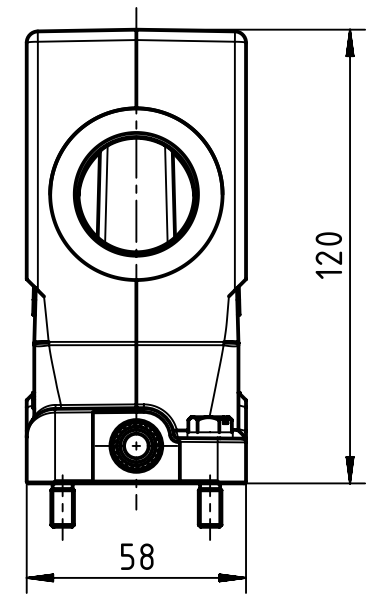
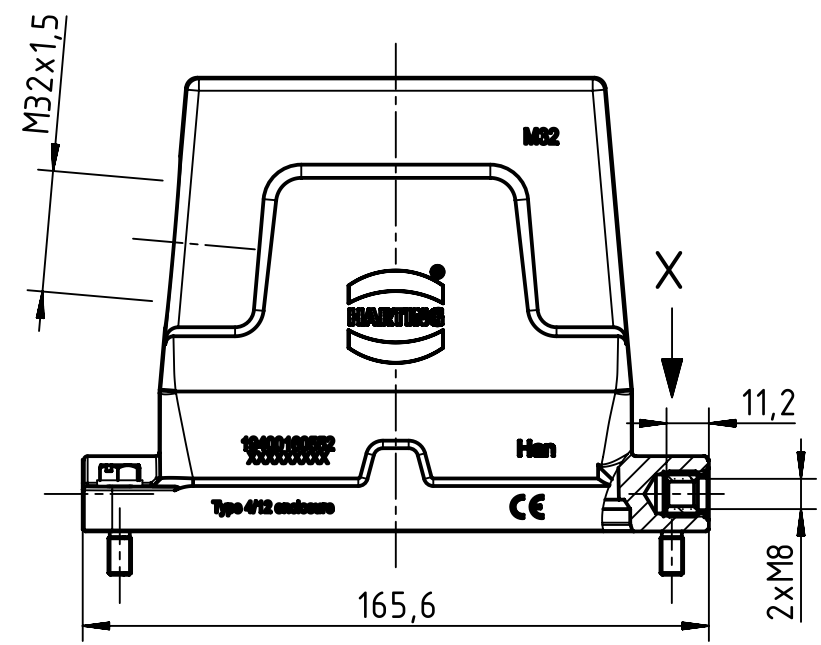
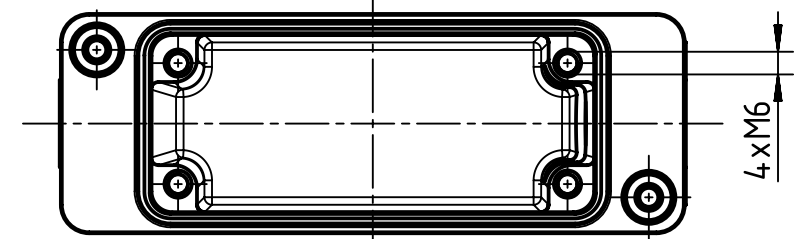
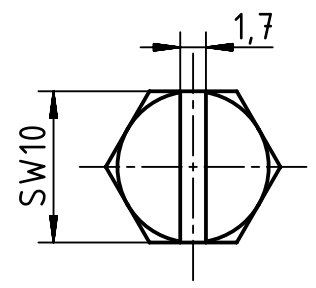
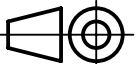



X (2:1)



 All Dimensions in mm Original Size DIN A4		Scale 1:2	Free size tol.		Ref.
 All rights reserved Department EL PD		Created by LONGL	Inspected by HEW	Standardisation TIEMANNA	Date 2019-12-31
HARTING Electric GmbH & Co. KG D-32339 Espelkamp		Title Han 16HPR enlarged-HSE-SCL-M32-FE			State Final Release
		Type TB	Number 19 40 016 0552		Doc-Key / ECM-Nr. 100794.063/UGD/001/C 500000162848
					Rev. C Page 1/1