

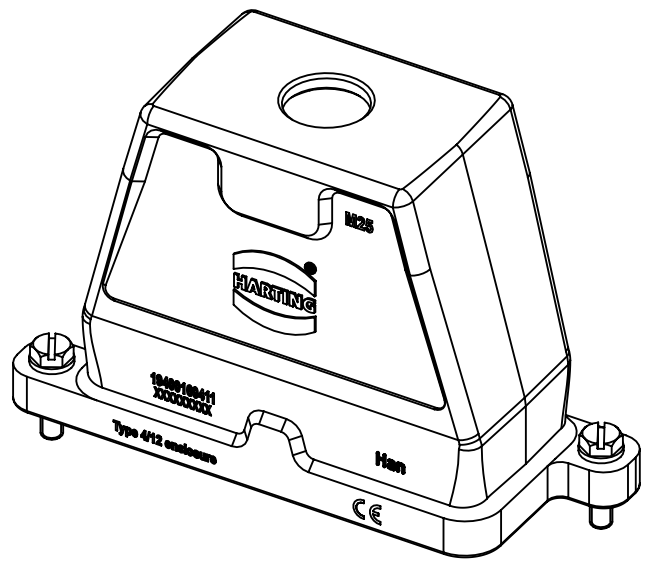
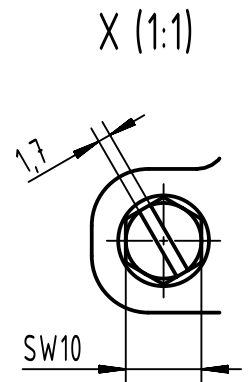
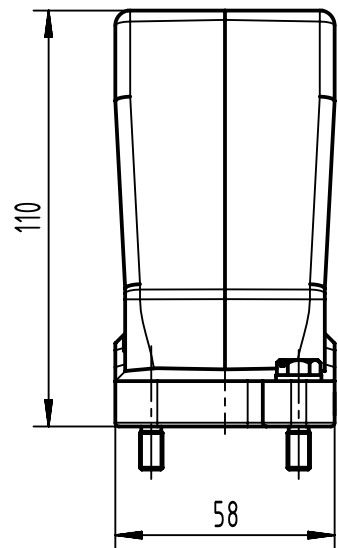
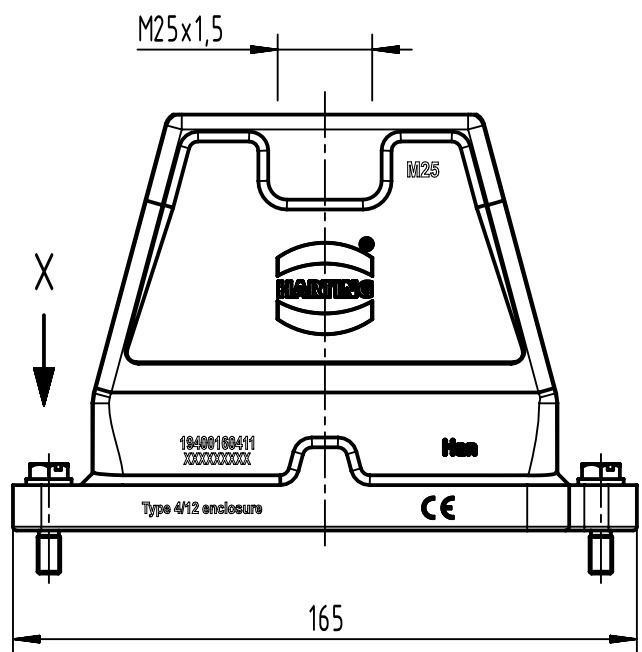
1 2 3 4 5 6

A

B

C

D



	All Dimensions in mm Original Size DIN A4		Scale 1:2	Free size tol.		Ref.		
						Sub.		
	All rights reserved		Created by HELLMANN	Inspected by GERB	Standardisation RUETERA	Date 2020-12-18	State Final Release	
	Department EL PD		Title Han 16HPR-HTE-SL-M25				Doc-Key / ECM-Nr. 100170359/UGD/004/D 500000184418	
HARTING D-32339 Espelkamp			Type TB	Number 19 40 016 0411			Rev. D	Page 1/1