

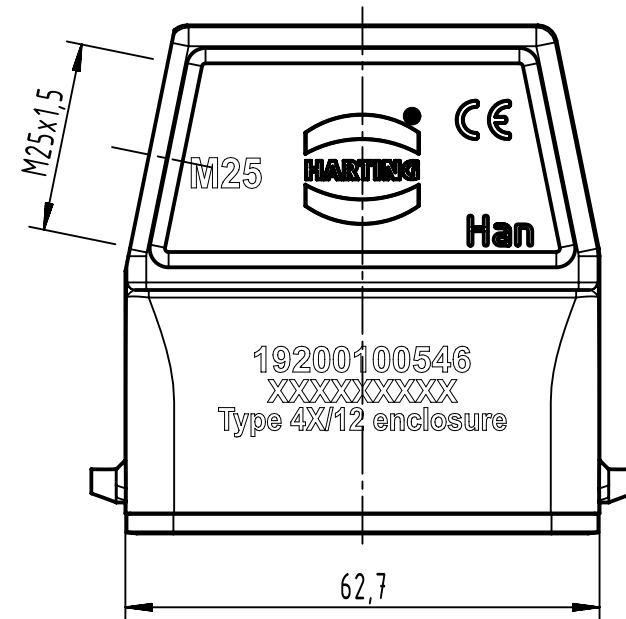
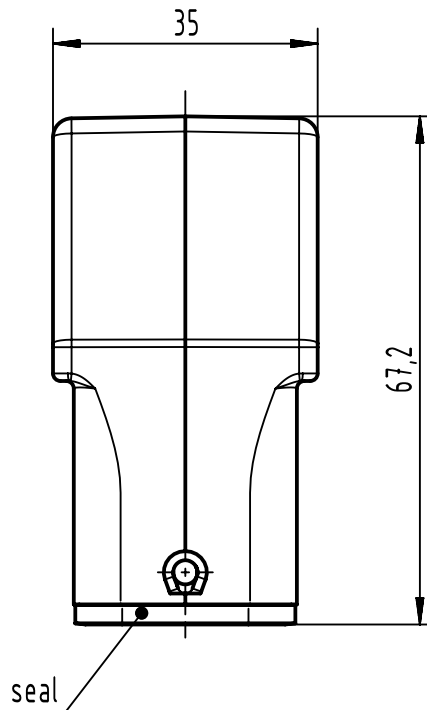
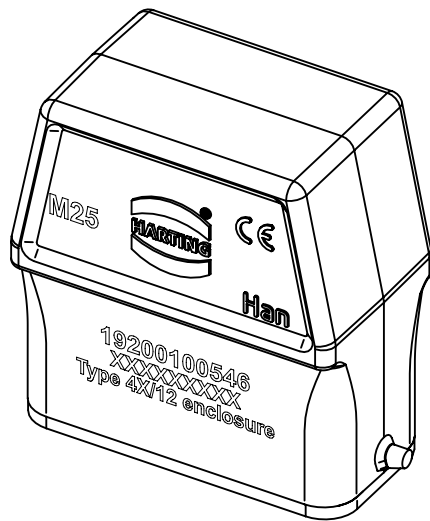
1 2 3 4 5 6

A

B

C

D



	All Dimensions in mm Original Size DIN A4		Scale 1:1	Free size tol.		Ref. Sub.		
		All rights reserved Department EL PD	Created by HELLMANN	Inspected by GERB	Standardisation SAP_WFRT	Date 2022-09-30	State Final Release	
Title Han A Hood Side Entry HC 2 Pegs M25 Type TB Number 19 20 010 0546					Doc-Key / ECM-Nr. 100189438/UGD/004/E 500000226480			
HARTING D-32339 Espelkamp							Rev. E	Page 1/1