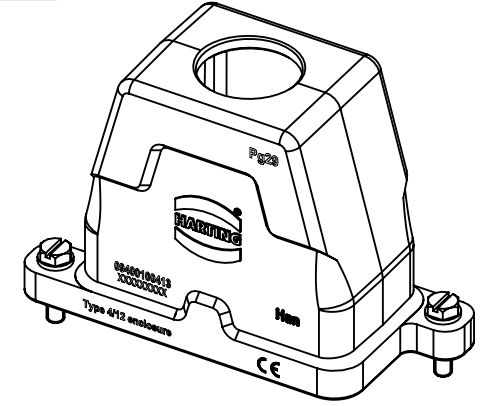
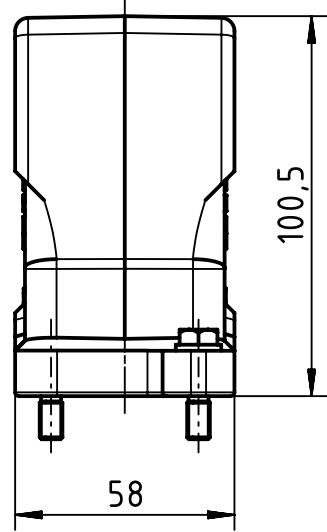
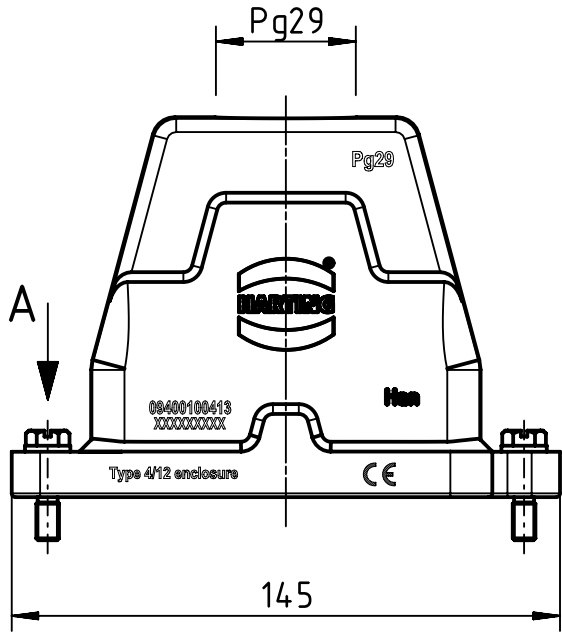


A

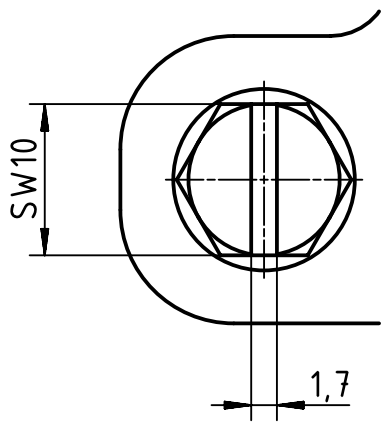
B


C

D



A (2:1)



	All rights reserved		Created by SPRENB		Inspected by GERB		Standardisation		Date 2021-08-10		State Final Release	
	Department EL PD		Title Han 10HPR-HTE-Pg29-Screw lock		Number 09 40 010 0413		Doc-Key / ECM-Nr. 100206532/UGD/004/D 500000196731		Rev. D		Page 1/1	
HARTING D-32339 Espelkamp			All Dimensions in mm Original Size DIN A4		Scale 1:2		Free size tol.		Ref.		Sub.	