

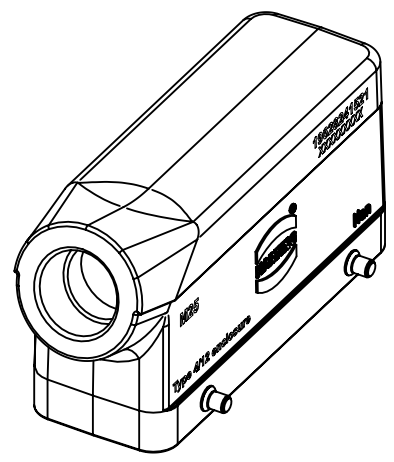
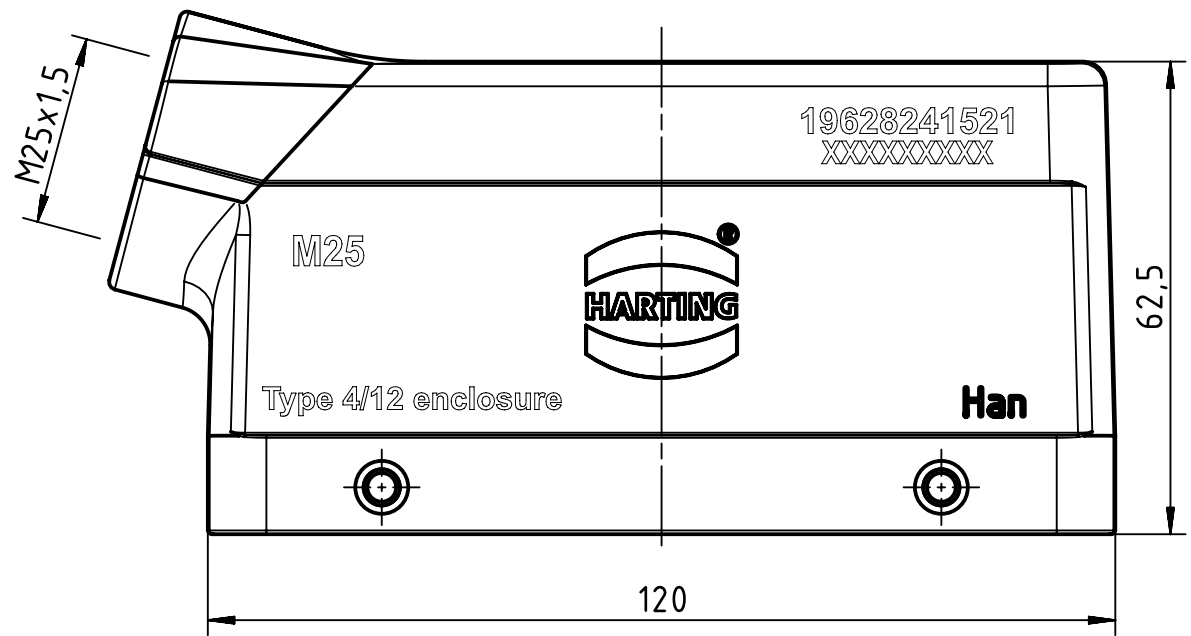
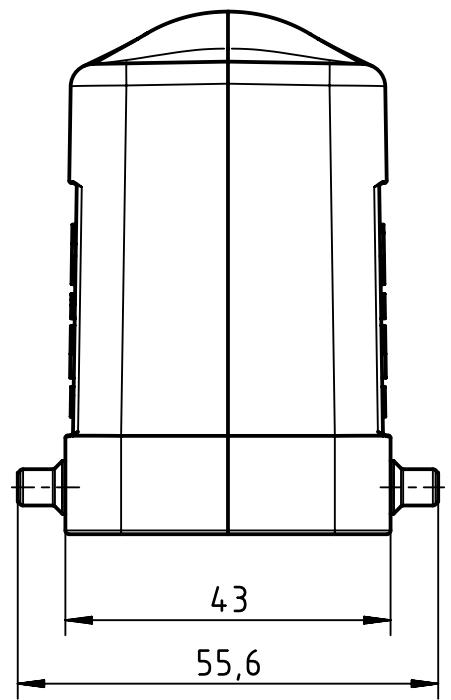
1 2 3 4 5 6

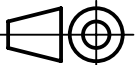

A

B

C

D



 All Dimensions in mm Original Size DIN A4	Scale	Free size tol.		Ref.	
	1:1			Sub.	
 All rights reserved Department EL PD	Created by	Inspected by	Standardisation	Date	State
	SPRENB	GERB	TIEMANNA	2019-12-16	Final Release
HARTING Electric GmbH & Co. KG D-32339 Espelkamp	Title				Doc-Key / ECM-Nr.
	Han 24EMV/B-gs-M25 (HT)				100202170/UGD/004/D 500000162660
Type		Number		Rev.	Page
TB		19 62 824 1521		D	1/1