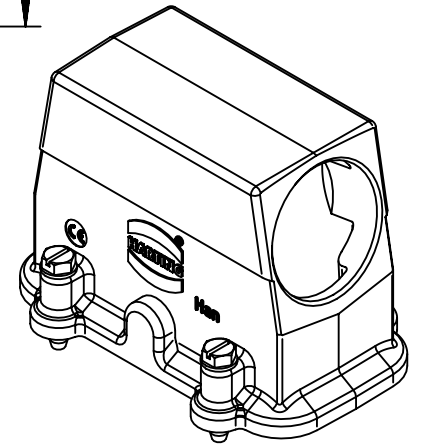
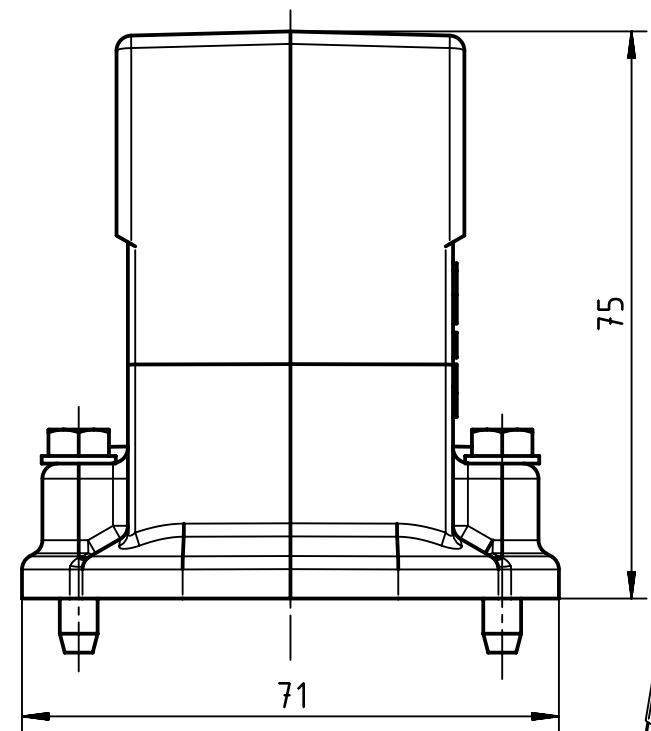
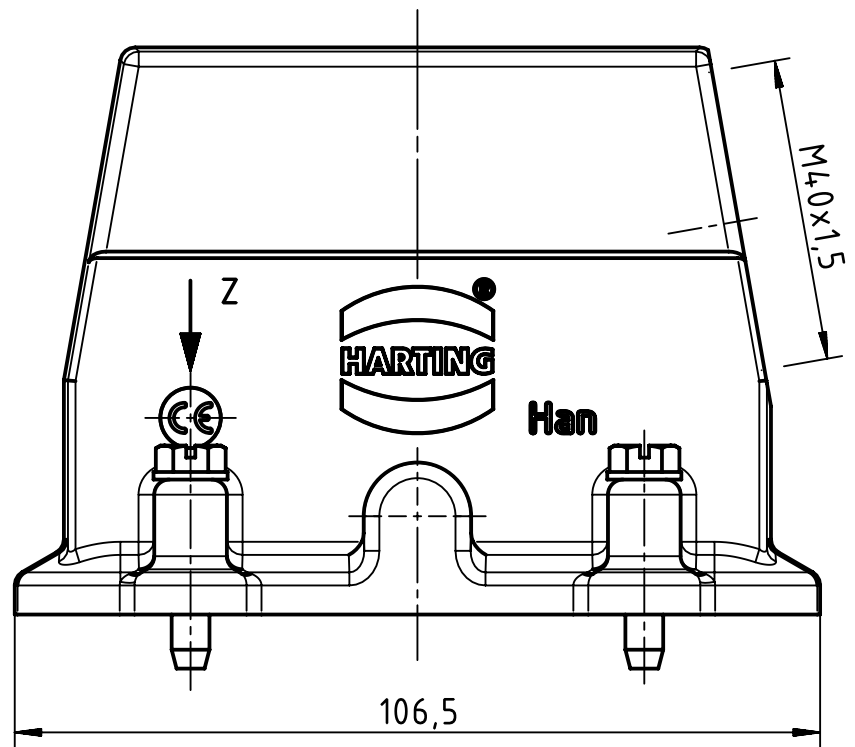
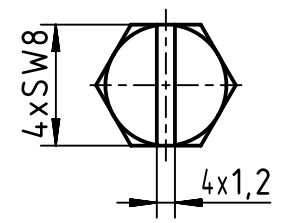



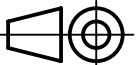

1 2 3 4 5 6

A
B
C
D



Z (2:1)



	All rights reserved		Created by MEYERLE		Inspected by GERB		Standardisation 302077		Date 2021-04-23		State Final Release	
	Department EL PD		Title Han 40EMV-gs-M40		Doc-Key / ECM-Nr. 100791723/UGD/002/B 500000193458		Type TB		Number 19 62 040 0543		Rev. B	
 All Dimensions in mm Original Size DIN A4			Scale 1:1		Free size tol.		Ref.		Sub.		Page 1/1	
			HARTING			D-32339 Espelkamp						