

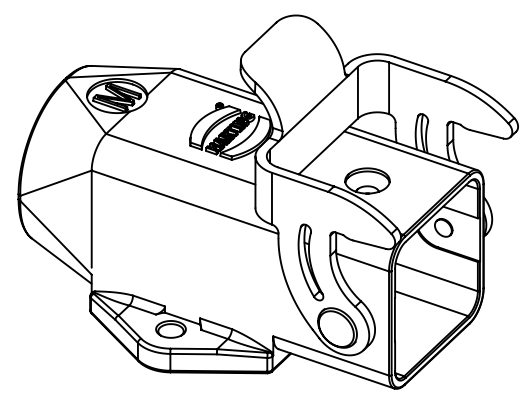
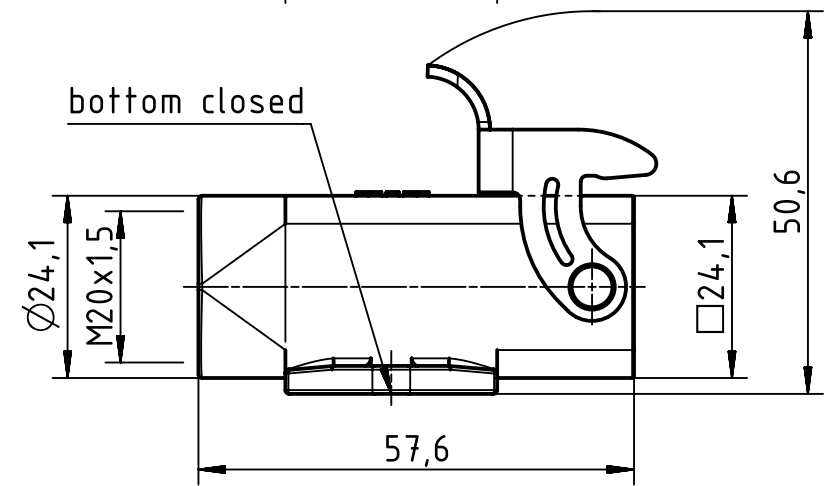
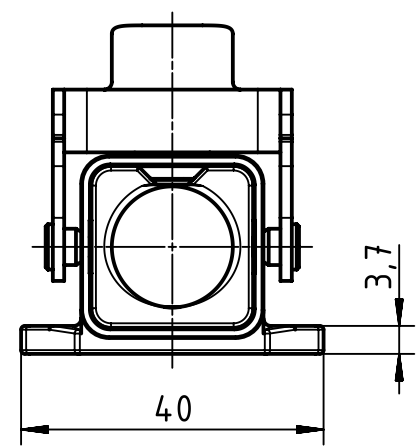
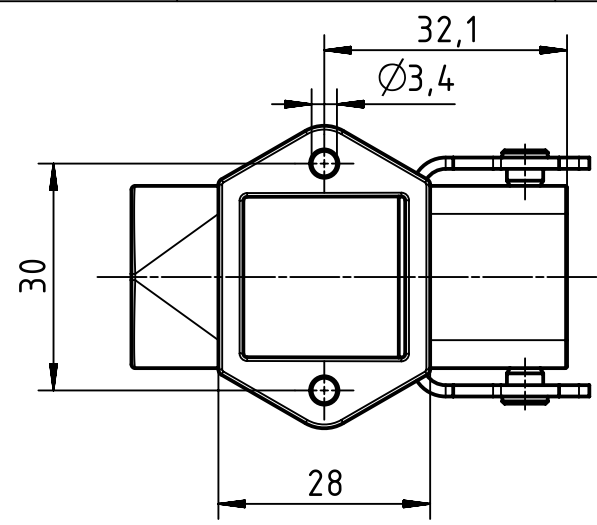
1 2 3 4 5 6

A

B

C

D



Coating	A=	mm ²	V=	mm ³	m=	g	Mat.
	All Dimensions in mm Original Size DIN A4		Scale 1:1	Free size tol.			Ref.
	All rights reserved Department EL PD		Created by HELLMANN	Inspected by GERB	Standardisation TIEMANNA	Date 2019-08-29	State Final Release
HARTING Electric GmbH & Co. KG D-32339 Espelkamp			Title Han 3A-asgw-QB-M20 Flansch geschlossen				Doc-Key / ECM-Nr. 100192262/UGD/005/A 500000150879
			Type TB	Number 19 20 003 1252			Rev. A
						Page 1/1	