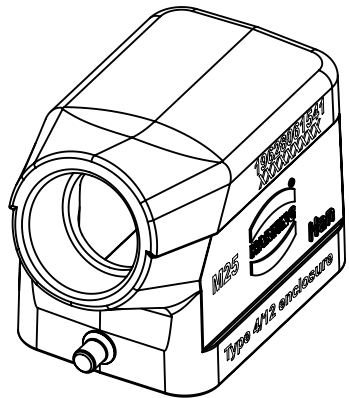
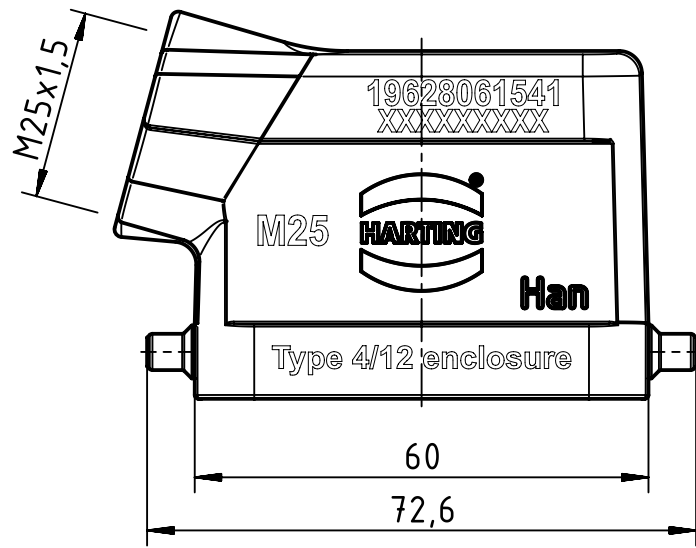
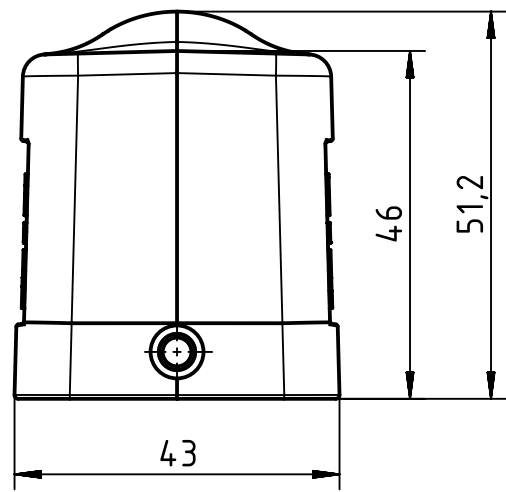


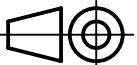

A

B

C

D



 All Dimensions in mm Original Size DIN A4	Scale	Free size tol.		Ref.	
	1:1			Sub.	
 All rights reserved Department EL PD	Created by	Inspected by	Standardisation	Date	State
	SPRENB	GERB	GARSKE	2019-12-06	Final Release
HARTING Electric GmbH & Co. KG D-32339 Espelkamp	Title			Doc-Key / ECM-Nr.	
	Han 6EMC/B-HSE-M25 (HT)			100527156/UGD/002/E 500000161963	
Type		Number		Rev.	Page
TB		19 62 806 1541		E	1/1