

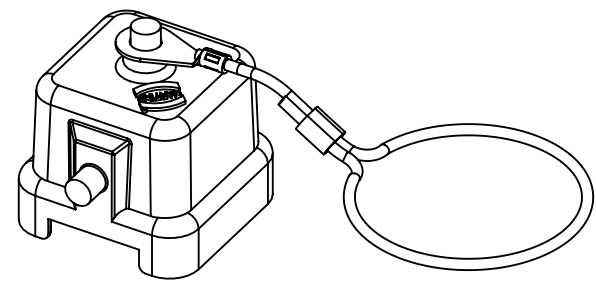
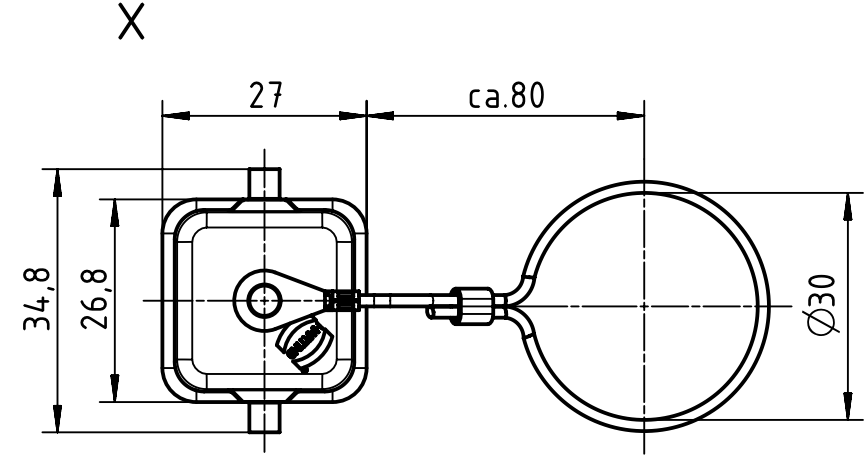
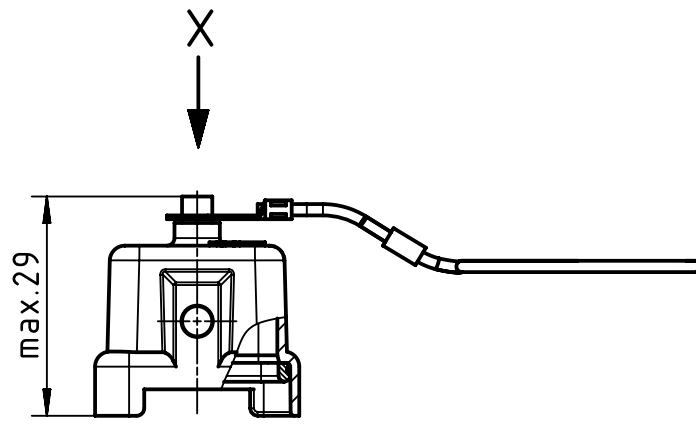
1 2 3 4 5 6

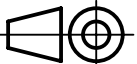

A

B

C

D



 All Dimensions in mm Original Size DIN A4	Scale 1:1		Free size tol.		Ref.	
	Created by HELLMANN		Inspected by RIEPE		Date 2020-06-16	
 All rights reserved Department EL PD	Standardisation RUETERA		State Final Release		Doc-Key / ECM-Nr. 100898316/UGD/008/A 500000174496	
	HARTING Electric GmbH & Co. KG D-32339 Espelkamp		Title Han 3A CP, black, cord/loop		Rev. A Page 1/1	
		Type TB		Number 09 20 003 5455		