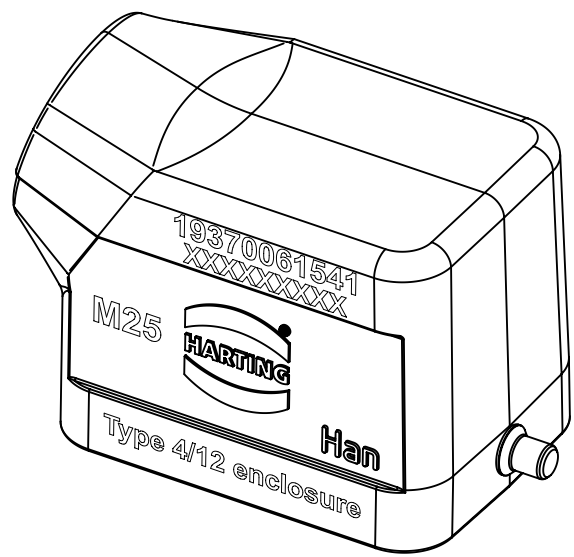
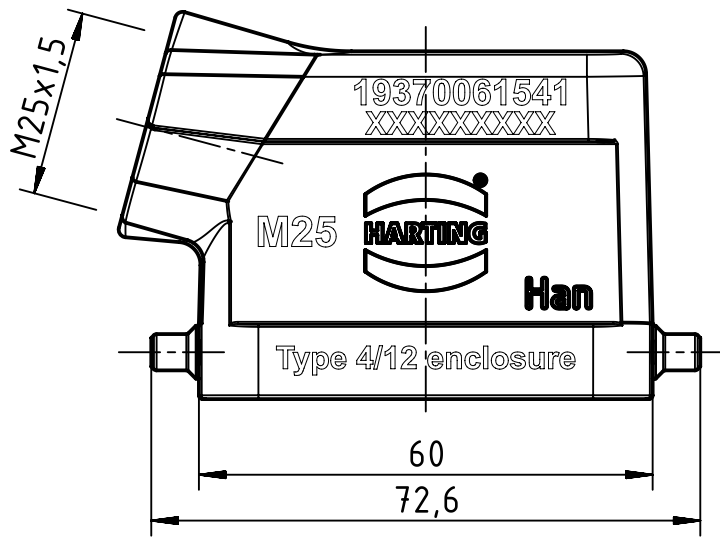
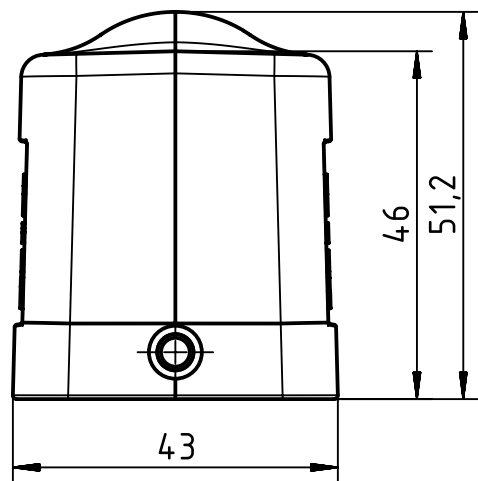



A

B

C

D



	All rights reserved Department EL PD		All Dimensions in mm Original Size DIN A4		Scale 1:1	Free size tol.		Ref. Sub.			
	HARTING Electric GmbH & Co. KG D-32339 Espelkamp		Created by SPRENB	Inspected by GERB	Standardisation GARSKE	Date 2019-12-06	State Final Release		Doc-Key / ECM-Nr. 100178829/UGD/004/E 500000161963		
			Title Han 6M-gs-M25			Type TB		Number 19 37 006 1541		Rev. E	Page 1/1