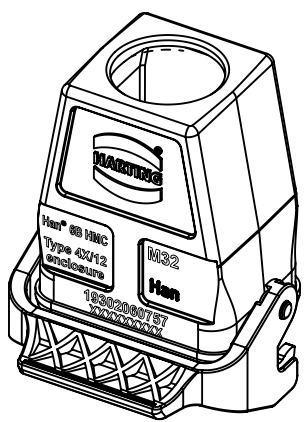
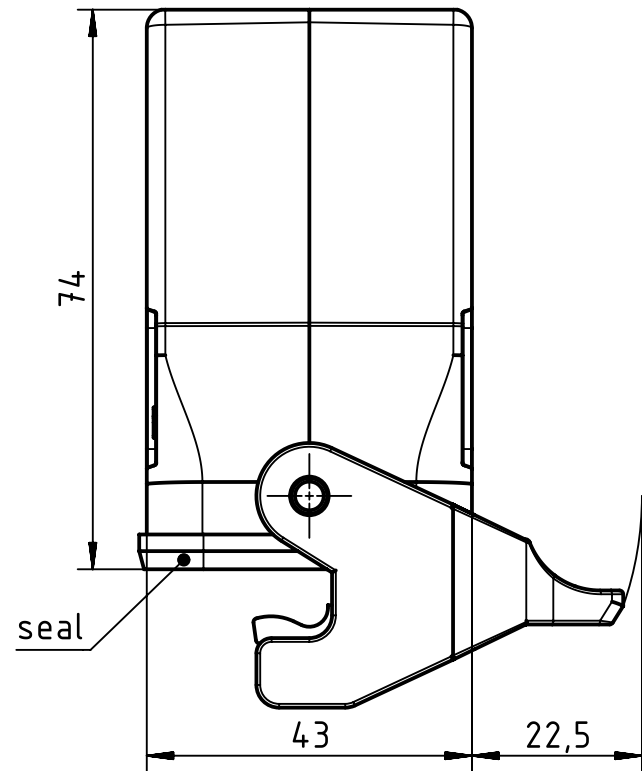
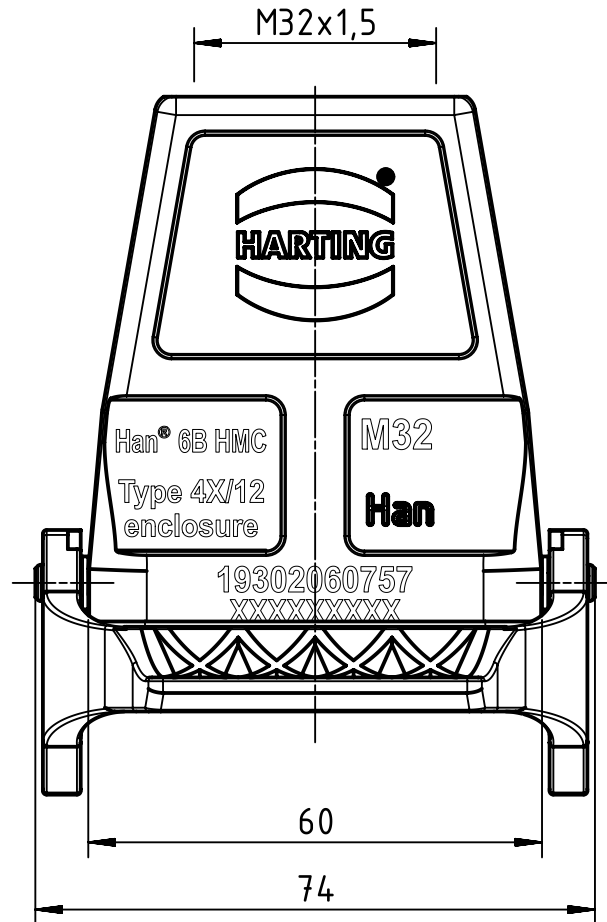


A

B

C

D



	All Dimensions in mm Original Size DIN A4		Scale 1:1	Free size tol.		Ref.
						Sub.
	All rights reserved		Created by SPRENB	Inspected by SUNDERMEIER	Standardisation TIEMANNA	Date 2020-01-30
	Department EL PD					State Final Release
HARTING Electric GmbH & Co. KG D-32339 Espelkamp			Title Han 6B-HMC-HCC-SL-M32			Doc-Key / ECM-Nr. 100705989/UGD/004/C 500000165903
			Type TB	Number 19 30 206 0757		Rev. C
						Page 1/1